



# Verdera® | K-99001

15" x 30" medicine cabinet

## Features

- Vertically adjustable 3x magnifying mirror on inside of door
- Three adjustable tempered-glass shelves
- Full-overlay mirrored door
- Mirrored interior
- Soft-close door prevents slamming
- Two-way adjustable hinges with 108° opening capability for easy cabinet access



## Available Colors/Finishes

*Color tiles intended for reference only.*

<sup>NA</sup> NA Not Applicable



1-800-4KOHLER (1-800-456-4537)  
Kohler Co. reserves the right to make revisions without notice to product specifications.  
For the most current specification sheet, go to [www.kohler.com](http://www.kohler.com) USA or [www.kohler.ca](http://www.kohler.ca) Canada.  
4-15-2026 4:55 - US-CA

THE BOLD LOOK  
OF **KOHLER**®

---

## Codes/Standards

*None Applicable*

---

## Technical Information

*All product dimensions are nominal.*

Lighting Included: No  
Mirror Type: Polished Edge

**Cutout**  
Width: 13-1/2" (343 mm)  
Height: 28-1/4" (718 mm)  
Depth: 3-11/16" (94 mm)

---

## Material

- Anodized aluminum construction with a durable rustproof and chip-resistant finish
  - Anodized aluminum construction with a durable rustproof and chip-resistant finish
- 

## Recommended Products/Accessories

K-23723 Faucet cleaner

---

## Required Products/Accessories

- K-99012 30" mirrored side kit for medicine cabinet
- 

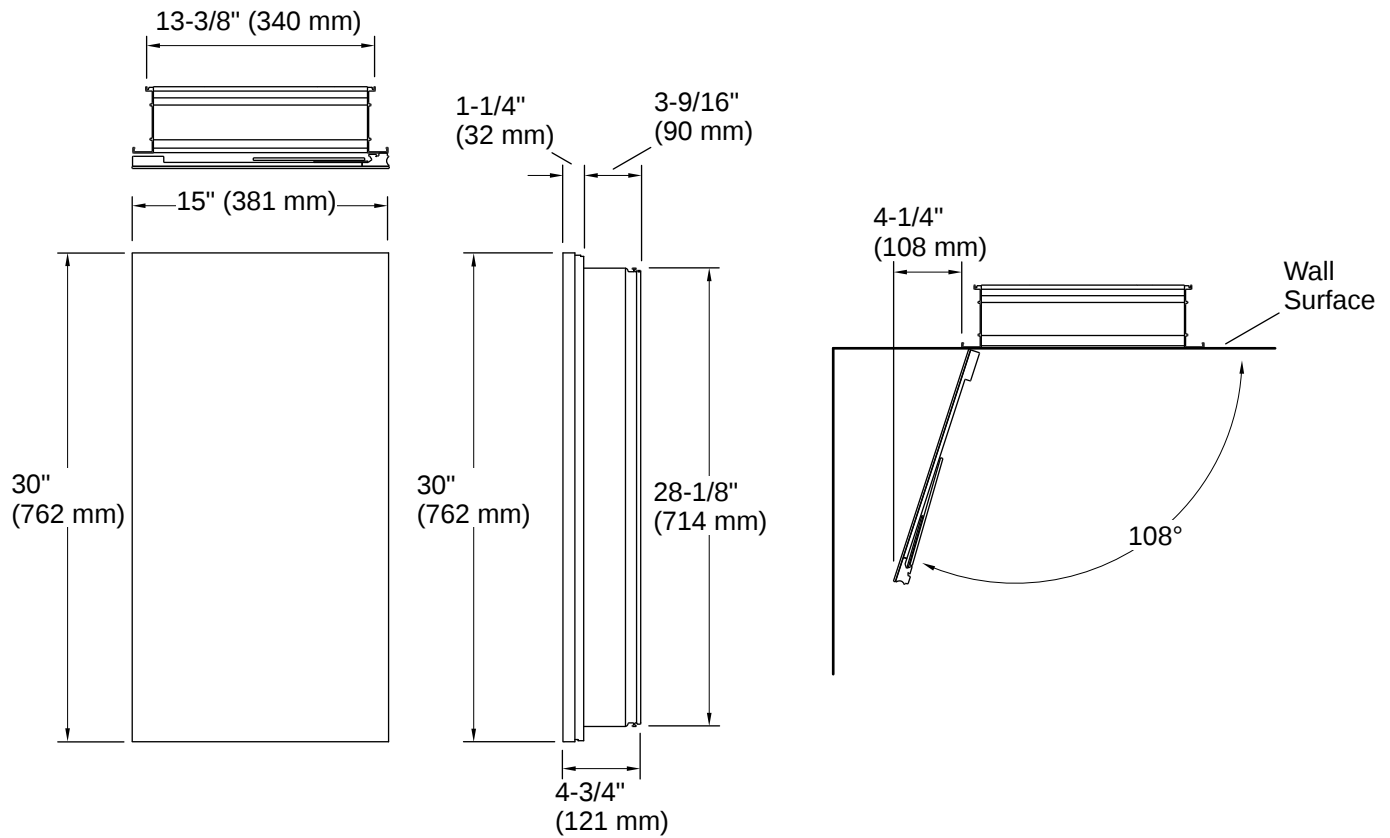
## Warranty

*See website for detailed warranty information.*

KOHLER® One-Year Limited Warranty



1-800-4KOHLER (1-800-456-4537)  
Kohler Co. reserves the right to make revisions without notice to product specifications.  
For the most current specification sheet, go to [www.kohler.com](http://www.kohler.com) USA or [www.kohler.ca](http://www.kohler.ca) Canada.  
4-15-2026 4:55 - US-CA



## Installation

- Can be installed with left- or right-hand swing
- Includes mounting hardware for surface or recessed installation
- Requires K-99012 or K-99675 side mirror kit (sold separately) for surface-mount installation

## Installation Notes

*Install this product according to the installation instructions.*

Install this product according to the installation instructions. Install the cabinet a minimum of 3" (76 mm) above any obstructions (such as a faucet).

For surface-mount, use anchors (not provided) rated for the loaded weight of this product.

This cabinet is designed for either right or left door swing. Check for obstructions.

