



Artifacts® | K-98068-6

T-handle bathroom sink faucet handles

Features

- Two Lever handles offer separate control of hot and cold water
- Spout sold separately
- UltraGlide® valves with dry-stem technology are designed to eliminate common leak paths and provide smooth, effortless control
- Quarter-turn washerless ceramic disc valves
- Coordinate with your choice of Artifacts spout for a personalized design



Available Colors/Finishes

Color tiles intended for reference only.

- CP Polished Chrome
- SN Vibrant Polished Nickel
- AF Vibrant French Gold
- BN Vibrant Brushed Nickel
- BV Vibrant Brushed Bronze
- BL Matte Black
- 2MB Vibrant Brushed Moderne Brass
- TT Vibrant Titanium



1-800-4KOHLER (1-800-456-4537)
Kohler Co. reserves the right to make revisions without notice to product specifications.
For the most current specification sheet, go to www.kohler.com USA or www.kohler.ca Canada.
4-15-2026 5:51 - US-CA

THE BOLD LOOK
OF **KOHLER**

Codes/Standards

ADA, OBC, CSA B651 compliant when installed to the specific requirements of these regulations.

ADA CSA B651 OBC

ASME A112.18.1/CSA B125.1
NSF/ANSI/CAN 372
NSF/ANSI/CAN 61
NSF/ANSI/CAN 61|NSF/ANSI/CAN 372
ADA
ICC/ANSI A117.1
CSA B651
OBC

Technical Information

All product dimensions are nominal.

Handle

Handle Style/ Type: Lever

Valves

Included Valve: UltraGlide

Material

- Brass valve bodies
- Premium metal construction for durability and reliability
- KOHLER finishes resist corrosion and tarnishing

Recommended Products/Accessories

K-23723 Faucet cleaner
K-72567 18" towel bar
K-72568 24" towel bar
K-72570 24" double towel bar
K-72571 Towel ring
K-72572 Double robe hook
K-72573 Pivoting toilet paper holder
K-72576 Toilet paper carriage

Required Products/Accessories

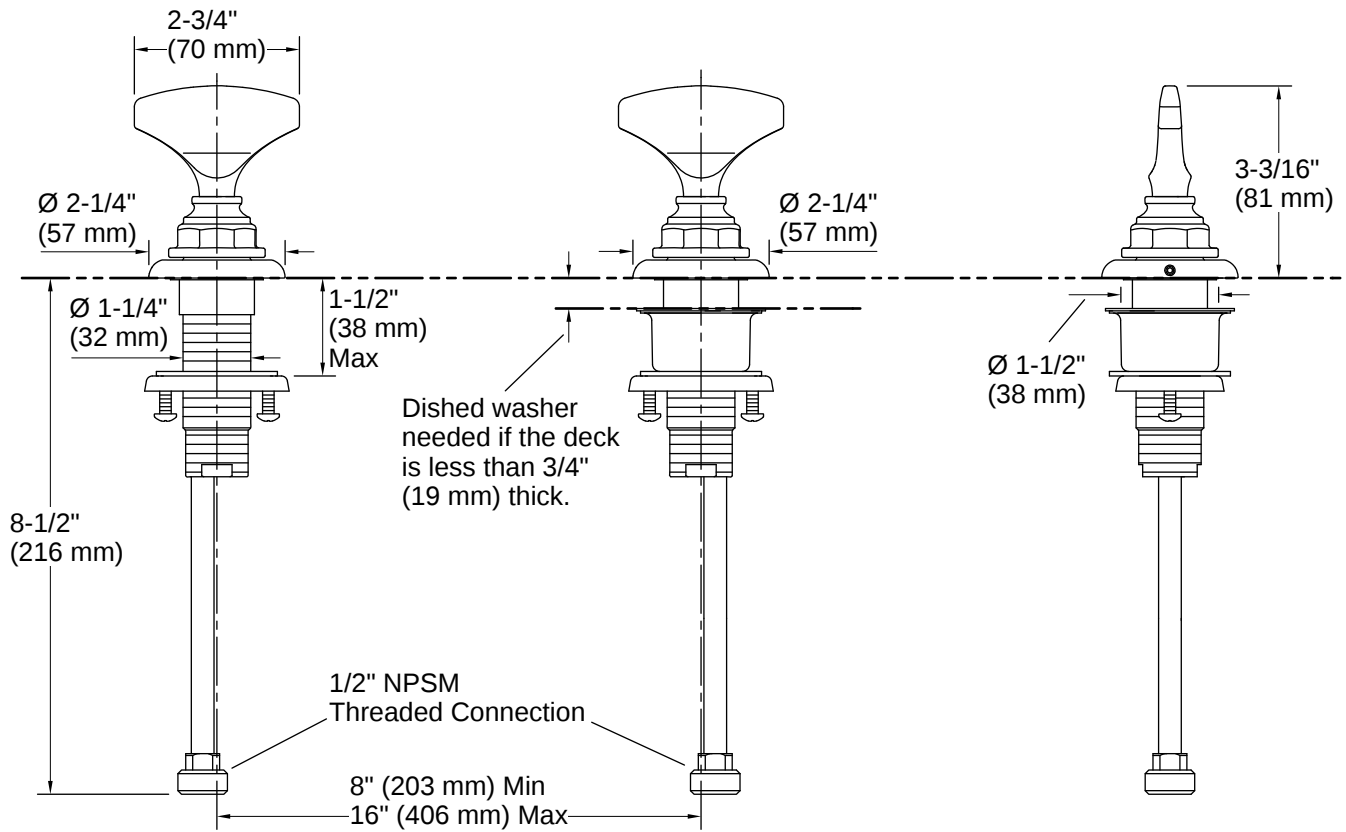
- K-72759 Bathroom sink faucet spout with Bell design, 1.2 gpm
- or
- K-72760 Bathroom sink faucet spout with Column design, 1.2 gpm

Warranty

See website for detailed warranty information.

KOHLER® Faucet Lifetime Limited Warranty





Installation

- For 8" - 16" (203 - 406 mm) centers
- Handles are preassembled on valves to simplify installation
- Widespread

Installation Notes

Install this product according to the installation instructions.

ADA, OBC, CSA B651 compliant when installed to the specific requirements of these regulations.

