

K-97339

Mounting block for select floor-mount bath fillers

Features

- For use with Artifacts®, Composed®, Margaux®, Occasion™, Parallel®, and Purist® freestanding bath fillers
- Can be installed without required freestanding bath filler



Codes/Standards

ASME A112.18.1/CSA B125.1

Recommended Products/Accessories

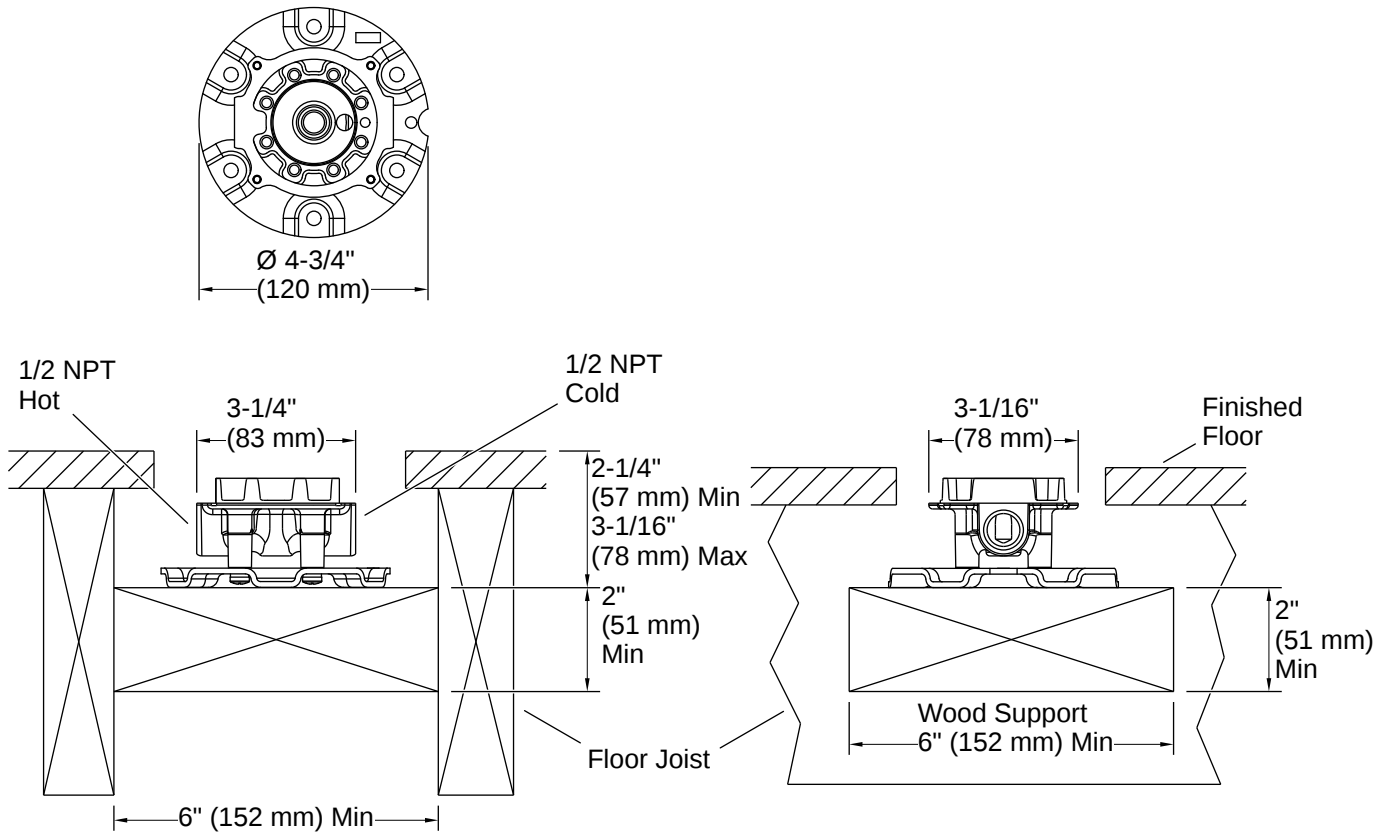
K-23723 Faucet cleaner

Warranty

See website for detailed warranty information.

KOHLER® Faucet Lifetime Limited Warranty





Installation Notes

Install this product according to the installation instructions.

Adequate floor support is required. The wood support must be a minimum of 2" (51 mm) thick by 6" (152 mm) wide. 2x6 lumber is NOT adequate for this application.

Concrete can be used as the floor support. Requires 3/16" masonry drill bit and six 1/4" x 1-3/4" concrete screws, not included.

