



# Hint® | K-97060-4

Single-handle bathroom sink faucet, 1.2 gpm

## Features

- Single lever handle allows for both on/off activation and temperature setting
- KOHLER® ceramic disc valves exceed industry longevity standards for a lifetime of durable performance
- Includes metal pop-up drain with 1-1/4" metal tailpiece
- 1.2 gpm (4.5 lpm) maximum flow rate at 60 psi (4.14 bar)
- Coordinates with Pitch® bath and shower trim
- This product will be replaced with K-37891-4



## Sustainability



1-800-4KOHLER (1-800-456-4537)  
Kohler Co. reserves the right to make revisions without notice to product specifications.  
For the most current specification sheet, go to [www.kohler.com](http://www.kohler.com) USA or [www.kohler.ca](http://www.kohler.ca) Canada.  
4-15-2026 5:45 - US-CA

THE BOLD LOOK  
OF **KOHLER**®

## Codes/Standards

ADA, OBC, CSA B651 compliant when installed to the specific requirements of these regulations.



ADA CSA B651 OBC

ASME A112.18.1/CSA B125.1  
NSF/ANSI/CAN 372  
NSF/ANSI/CAN 61  
DOE - Energy Policy Act 1992  
EPA WaterSense®  
California Energy Commission (CEC)  
ADA  
ICC/ANSI A117.1  
CSA B651  
OBC

## Recommended Products/Accessories

K-23726 Drain treatment

K-23723 Faucet cleaner

## Warranty

See website for detailed warranty information.

KOHLER® Faucet Lifetime Limited Warranty

## Technical Information

All product dimensions are nominal.

### Handle

Handle Style/ Type: Lever

### Spout

Spout Reach: 3-7/8" (99 mm)

### Flow Rate

Faucet Flow Rate: 1.2 gpm (4.5 l/min)

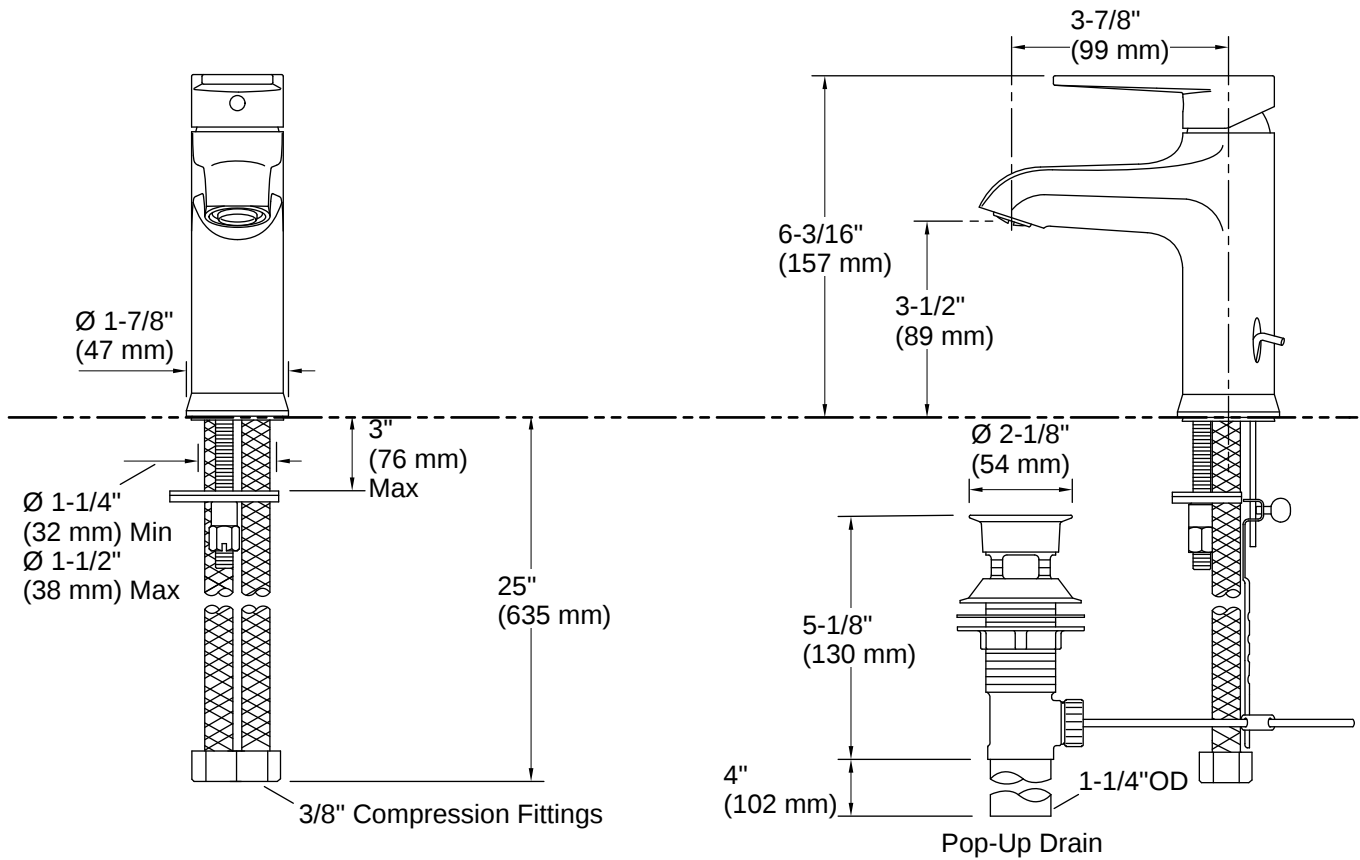
## Valves

Included Valve: Ceramic disc

## Material

- Premium metal construction for durability and reliability
- KOHLER finishes resist corrosion and tarnishing





## Installation

- Single hole
- Preattached flexible supply lines simplify installation

## Installation Notes

*Install this product according to the installation instructions.*

ADA compliant for handles only.  
 ADA, OBC, CSA B651 compliant when installed to the specific requirements of these regulations.

