



Primary™ | K-96064-SS

Elongated floor-mount flushometer bowl, antimicrobial finish

Features

- Elongated, 10-1/2" height bowl
- Antimicrobial finish inhibits the growth of mold-, mildew-, stain-, and odor-causing bacteria on the fixture surface. This product does not protect users against bacteria, viruses, or other disease organisms. Always clean and wash this product thoroughly before and after each use
- 10" x 7" (254 mm x 178 mm) water surface
- 1-7/8" (48 mm) fully glazed trapway
- 10" or 12" (254 or 305 mm) rough-in
- The ultra-low water consumption is ideal for water conservation and can help earn Water Efficiency points in the LEED® Green Building Rating System
- Includes toilet seat with scalloped handhold locations
- 1-1/2" (38 mm) top spud
- 1.28 gpf - 1.6 gpf (4.8 - 6.0 lpf) flush range



Sustainability



1-800-4KOHLER (1-800-456-4537)
Kohler Co. reserves the right to make revisions without notice to product specifications.
For the most current specification sheet, go to www.kohler.com USA or www.kohler.ca Canada.
4-15-2026 5:7 - US-CA

THE BOLD LOOK
OF **KOHLER**

Codes/Standards

ADA compliant when installed to the specific requirements of these regulations.

Accessibility standards may require controls to be located on the open side of the toilet.

Plumbing codes may require elongated toilets and elongated, open-front seats in public bathrooms.

This product should be used with a WaterSense labeled counterpart with the same rated flush volume to ensure the complete system meets the requirements of this specification for water efficiency and performance.



ADA

ASME A112.19.2/CSA B45.1
 DOE - Energy Policy Act 1992
 EPA WaterSense®
 California Energy Commission (CEC)
 ADA
 ICC/ANSI A117.1

Technical Information

Installation Type:	Floor-mount
Rough-in:	Standard 12" (305mm)
Flush Type:	Siphon
Flush Rate:	1.28 or 1.6 gpf (4.8 or 6 lpf)
Bowl Shape:	Elongated
Waste Outlet:	Floor
Trapway Size:	1-15/16" (49 mm)
Trapway Type:	Exposed
Water Surface Size:	10" x 7" (254 mm x 178 mm)
Rim to Water Surface:	4-3/8" (111 mm)

Pressure/Fixture Supply Requirements

Minimum Flowing Pressure:	25 psi (172.4 kPa)
Minimum Flow Rate:	25 gpm (94.6 l/min)

Material

- Vitreous china

Technology

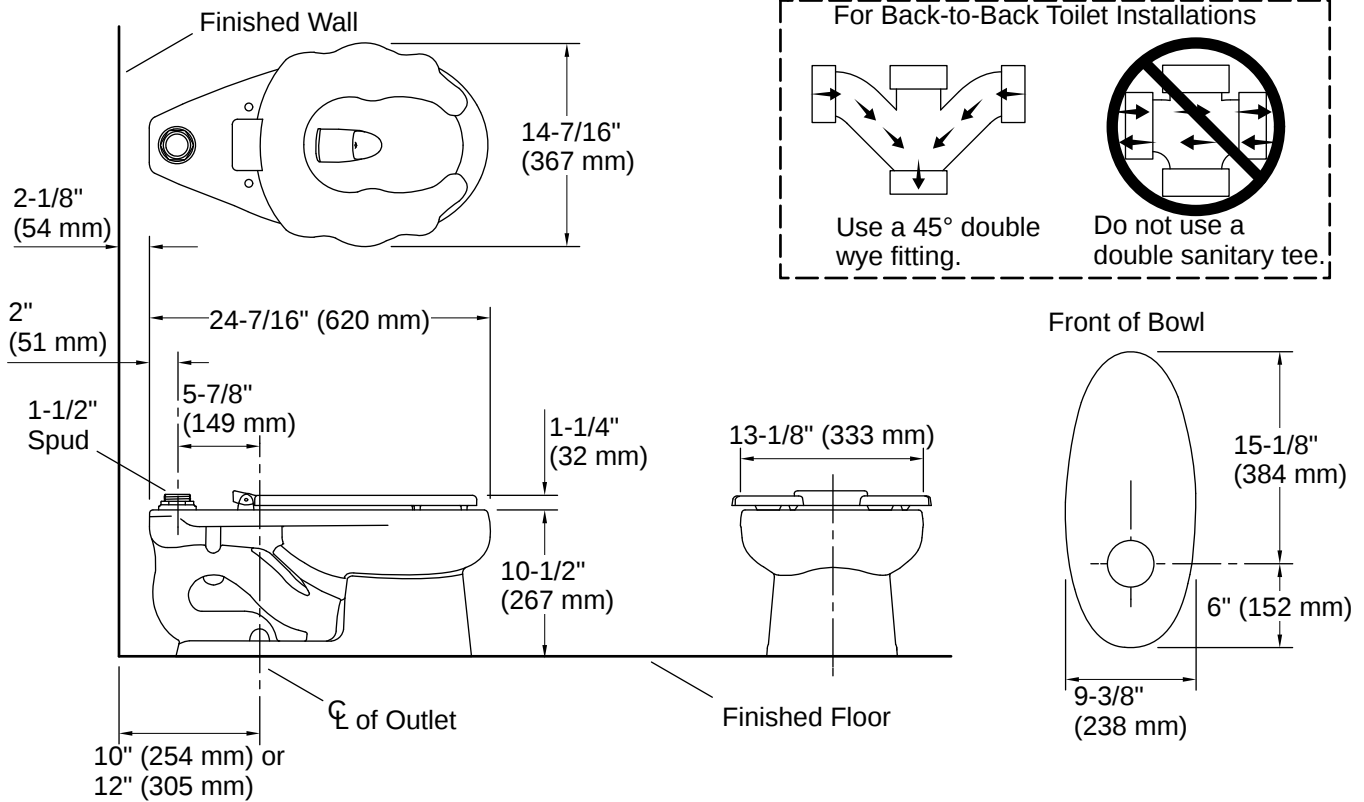
- Designed to outperform competitors in bowl cleanliness and plug resistance
- Excellent bowl rinse
- Maximum drain line carry at all flush volumes per ASME standard

Warranty

See website for detailed warranty information.

KOHLER® One-Year Limited Warranty





Installation

- Children's height bowl
- Replaces Primary K-4321 and K-4384. Height and footprint may vary

Installation Notes

Install this product according to the installation instructions.

For back-to-back toilet installations: Use only a 45° double wye fitting.

Product dimensions are nominal and may vary per ASME A112.19.2 tolerances.

This product should be used with a WaterSense labeled counterpart with the same rated flush volume to ensure the complete system meets the requirements of this specification for water efficiency and performance.

Requires flushometer valve to match desired water consumption 1.28 gpf (4.8 lpf) or 1.6 gpf (6 lpf).

ADA compliant when installed to the specific requirements of these regulations.

Plumbing codes may require elongated toilets and elongated, open-front seats in public bathrooms.

Accessibility standards may require controls to be located on the open side of the toilet.

