



Wellcomme™ Ultra | K-96053-SS

Floor-mount top spud antimicrobial flushometer bowl

Features

- Elongated, Standard height bowl
- Antimicrobial finish inhibits the growth of mold-, mildew-, stain-, and odor-causing bacteria on the fixture surface. This product does not protect users against bacteria, viruses, or other disease organisms. Always clean and wash this product thoroughly before and after each use
- 1-1/2" (38 mm) top spud
- 10" x 7" (254 mm x 178 mm) water surface
- 10" or 12" (254 or 305 mm) rough-in
- 1.0 gpf (3.8 lpf), 1.1 gpf (4.2 lpf), 1.28 (4.8 lpf), or 1.6 gpf (6.0 lpf) depending on flushometer specified
- 2-1/8" (54 mm) fully glazed trapway



Sustainability



1-800-4KOHLER (1-800-456-4537)
Kohler Co. reserves the right to make revisions without notice to product specifications.
For the most current specification sheet, go to www.kohler.com USA or www.kohler.ca Canada.
4-15-2026 4:32 - US-CA

THE BOLD LOOK
OF **KOHLER**

Codes/Standards

Accessibility standards may require controls to be located on the open side of the toilet.

Plumbing codes may require elongated toilets and elongated, open-front seats in public bathrooms.

This product should be used with a WaterSense labeled counterpart with the same rated flush volume to ensure the complete system meets the requirements of this specification for water efficiency and performance.



ASME A112.19.2/CSA B45.1
DOE - Energy Policy Act 1992
EPA WaterSense®
California Energy Commission (CEC)

Technical Information

Installation Type:	Floor-mount
Rough-in:	Standard 12" (305mm)
Flush Type:	Siphon
Flush Rate:	1.0, 1.1, 1.28, or 1.6 gpf (3.8, 4.2, 4.8, or 6 lpf)
Bowl Shape:	Elongated
Seat-Mounting Holes:	5-1/2" (140 mm)
Waste Outlet:	Floor
Trapway Size:	2-1/8" (54 mm)
Trapway Type:	Exposed
Water Surface Size:	10" x 7" (254 mm x 178 mm)
Rim to Water Surface:	6" (152 mm)

Pressure/Fixture Supply Requirements

Minimum Flowing Pressure:	25 psi (172.4 kPa)
Minimum Flow Rate:	25 gpm (94.6 l/min)

Material

- Vitreous china

Technology

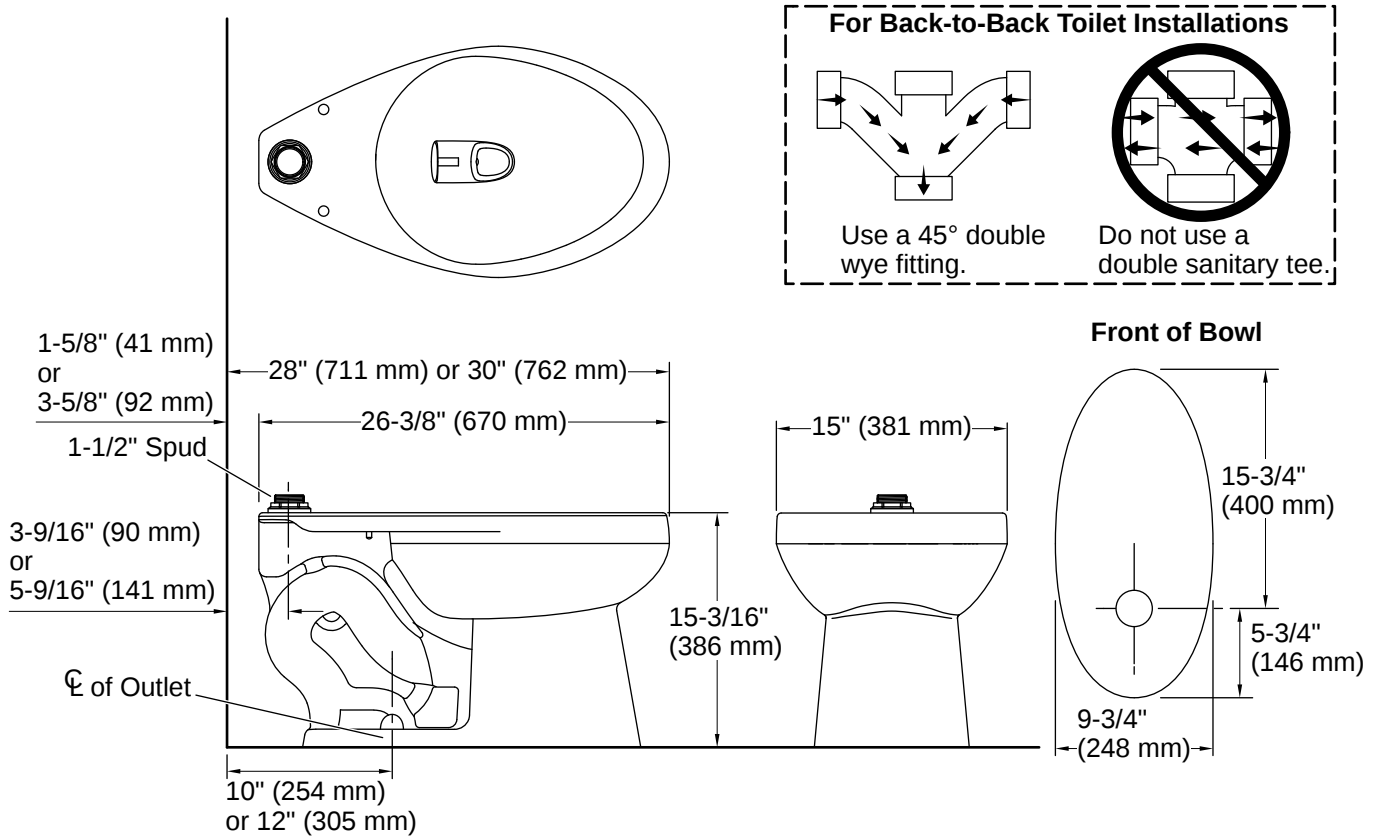
- Designed to outperform competitors in bowl cleanliness and plug resistance
- Maximum waste removal
- Engineered for toilet seat cover removal
- Excellent bowl rinse
- Engineered to flush effectively in buildings with low supply pressure and flow
- Maximum drain line carry at all flush volumes per ASME standard

Warranty

See website for detailed warranty information.

KOHLER® One-Year Limited Warranty





Installation

- Replaces Wellcomme K-4350 and Wellworth K-4406. Height and footprint may vary

Installation Notes

Install this product according to the installation instructions.

For back-to-back toilet installations: Use only a 45° double wye fitting.

If Fixture Supply Pressure is below 35 psi static, then fixture must be paired with a valve rated at 1.28 gpf or greater.

Product dimensions are nominal and may vary per ASME A112.19.2 tolerances.

This product should be used with a WaterSense labeled counterpart with the same rated flush volume to ensure the complete system meets the requirements of this specification for water efficiency and performance.

Requires flushometer valve to match desired water consumption 1.1 gpf (4.3 lpf) or 1.28 gpf (4.8 lpf) or 1.6 gpf (6 lpf).

