



Archer® | K-9479

60" x 36" alcove shower base, center drain

Features

- Low-threshold design for easy entry and exit
- Covered drain with removable cover
- Single threshold for alcove installation
- Coordinates with other products in the Archer collection



Available Colors/Finishes

Color tiles intended for reference only.

- 0 White
- 96 Biscuit
- NY Dune
- 95 Ice Grey
- 71 Seafoam Green



1-800-4KOHLER (1-800-456-4537)
Kohler Co. reserves the right to make revisions without notice to product specifications.
For the most current specification sheet, go to www.kohler.com USA or www.kohler.ca Canada.
4-15-2026 4:21 - US-CA

THE BOLD LOOK
OF **KOHLER**

Codes/Standards

ASME A112.19.1/CSA B45.2
CSA B45.5/IAPMO Z124
ASTM E162
ASTM E662

Warranty

See website for detailed warranty information.

KOHLER® Plastic Baths and Shower Bases Lifetime Limited Warranty

Technical Information

All product dimensions are nominal.

Drain Location:	Center
Drain Hole Diameter:	3-3/8" (86 mm)
Shower Ledge Minimum Flat:	2-5/8" (66 mm)
Minimum Floor Load:	17 lbs/ft ²
Weight:	52 lbs (23.6 kg)

Material

- Acrylic

Recommended Products/Accessories

K-23726 Drain treatment

K-23732 Tub & shower cleaner

K-9132 Round shower drain for use with plastic pipe, gasket included

K-702207-L Sliding shower door, 70-5/16" H x 56-5/8 - 59-5/8" W, with 3/8" thick Crystal Clear glass

K-706009-D3 Sliding shower door, 74" H x 56-5/8 - 59-5/8" W, with 1/4" thick Frosted glass and blade handles

K-706009-L Sliding shower door, 74" H x 56-5/8 - 59-5/8" W, with 1/4" thick Crystal Clear glass

K-706012-L Sliding shower door, 74" H x 56-5/8 - 59-5/8" W, with 3/8" thick Crystal Clear glass

K-706013-L Sliding shower door, 82" H x 56-5/8 - 59-5/8" W, with 3/8" thick Crystal Clear glass

K-706015-D3 Sliding shower door, 74" H x 56-5/8 - 59-5/8" W, with 1/4" thick Frosted glass

K-706015-L 74" H sliding shower door with 1/4"-thick glass

K-706019-L Sliding shower door, 82" H x 56-5/8 - 59-5/8" W, with 3/8" thick Crystal Clear glass

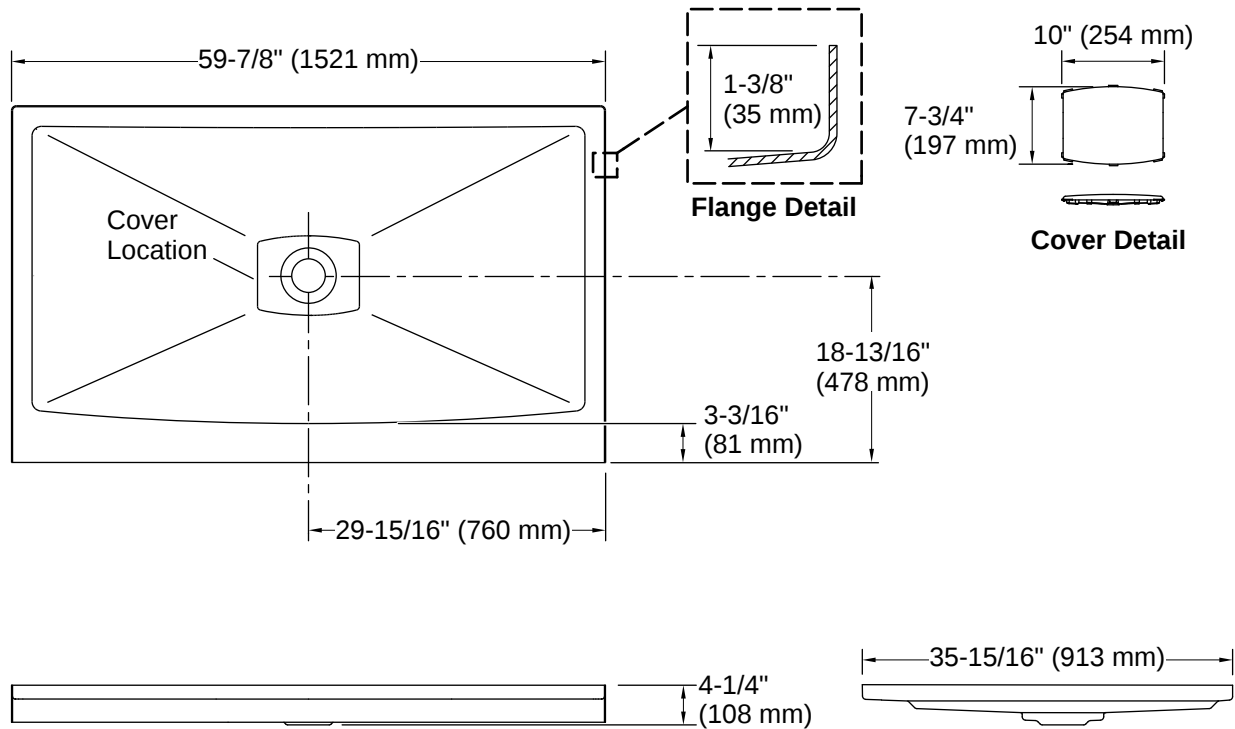


1-800-4KOHLER (1-800-456-4537)

Kohler Co. reserves the right to make revisions without notice to product specifications.

For the most current specification sheet, go to www.kohler.com USA or www.kohler.ca Canada.

4-15-2026 4:21 - US-CA



Installation

- Center drain

Installation Notes

Install this product according to the installation instructions.

Measure your actual product for rough-in details.

Shimming may be required to level the fixture.

Shimming may be required between the stud frame and the fixture.

Stud opening tolerance is + 1/4" (6 mm), - 0" (0 mm).

