



Archer® | K-9396

36" x 36" alcove shower base, center drain

Features

- Low-threshold design for easy entry and exit
- Covered drain with removable cover
- Single threshold for alcove installation
- Coordinates with other products in the Archer collection



Available Colors/Finishes

Color tiles intended for reference only.

- 0 White
- 96 Biscuit
- NY Dune
- 95 Ice Grey
- 71 Seafoam Green



1-800-4KOHLER (1-800-456-4537)
Kohler Co. reserves the right to make revisions without notice to product specifications.
For the most current specification sheet, go to www.kohler.com USA or www.kohler.ca Canada.
4-15-2026 4:19 - US-CA

THE BOLD LOOK
OF **KOHLER**®

Codes/Standards

CSA B45.5/IAPMO Z124
ASTM E162
ASTM E662

Technical Information

All product dimensions are nominal.

Drain Location:	Center
Drain Hole Diameter:	3-3/8" (86 mm)
Shower Ledge Minimum Flat:	2-5/8" (66 mm)
Minimum Floor Load:	20 lbs/ft ²
Weight:	33 lbs (15 kg)

Material

- Acrylic
-

Recommended Products/Accessories

K-23726 Drain treatment
K-23732 Tub & shower cleaner
K-9132 Round shower drain for use with plastic pipe, gasket included

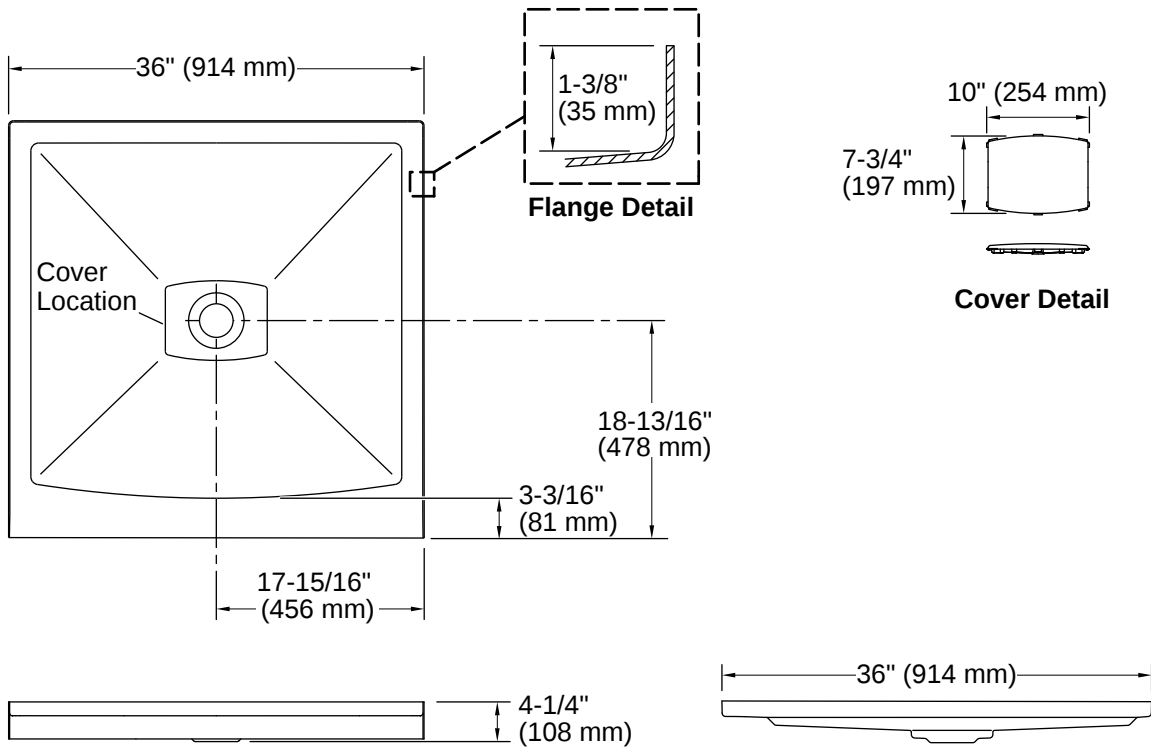
Warranty

See website for detailed warranty information.

KOHLER® Plastic Baths and Shower Bases Lifetime Limited Warranty



1-800-4KOHLER (1-800-456-4537)
Kohler Co. reserves the right to make revisions without notice to product specifications.
For the most current specification sheet, go to www.kohler.com USA or www.kohler.ca Canada.
4-15-2026 4:19 - US-CA



Installation

- Center drain

Installation Notes

Install this product according to the installation instructions.

Measure your actual product for rough-in details.

Shimming may be required to level the fixture.

Shimming may be required between the stud frame and the fixture.

Stud opening tolerance is + 1/4" (6 mm), - 0" (0 mm).



1-800-4KOHLER (1-800-456-4537)

Kohler Co. reserves the right to make revisions without notice to product specifications.

For the most current specification sheet, go to www.kohler.com USA or www.kohler.ca Canada.

4-15-2026 4:19 - US-CA