



Bellwether® | K-9164

60" x 32" alcove shower base, right drain

Features

- Safeguard® slip-resistant surface provides excellent traction underfoot
- Single threshold for alcove installation with three tile-in flanges
- Right center drain
- Ideal size for remodel installations into a 60" (1524 mm) alcove with a shower door
- Rim size optimized for water containment and aesthetics
- Optional recessed drain sold separately



Sustainability



Available Colors/Finishes

Color tiles intended for reference only.

- 0 White
- 96 Biscuit
- NY Dune



1-800-4KOHLER (1-800-456-4537)
Kohler Co. reserves the right to make revisions without notice to product specifications.
For the most current specification sheet, go to www.kohler.com USA or www.kohler.ca Canada.
4-15-2026 4:15 - US-CA

THE BOLD LOOK
OF **KOHLER**

Codes/Standards

ASME A112.19.1/CSA B45.2
ASTM F462

Technical Information

All product dimensions are nominal.

Drain Location:	Right
Drain Hole Diameter:	3-3/8" (86 mm)
Shower Ledge Minimum Flat:	2-7/16" (62 mm)
Weight:	230 lbs (104.3 kg)

Material

- KOHLER® enameled cast iron
-

Recommended Products/Accessories

K-23726 Drain treatment
K-23725 Cast iron cleaner
K-9132 Round shower drain for use with plastic pipe, gasket included

Required Products/Accessories

- K-9155 Plastic drain cover for 60" x 32" shower base
- or
- K-9156 Aluminum drain cover for 60" x 32" shower base
-

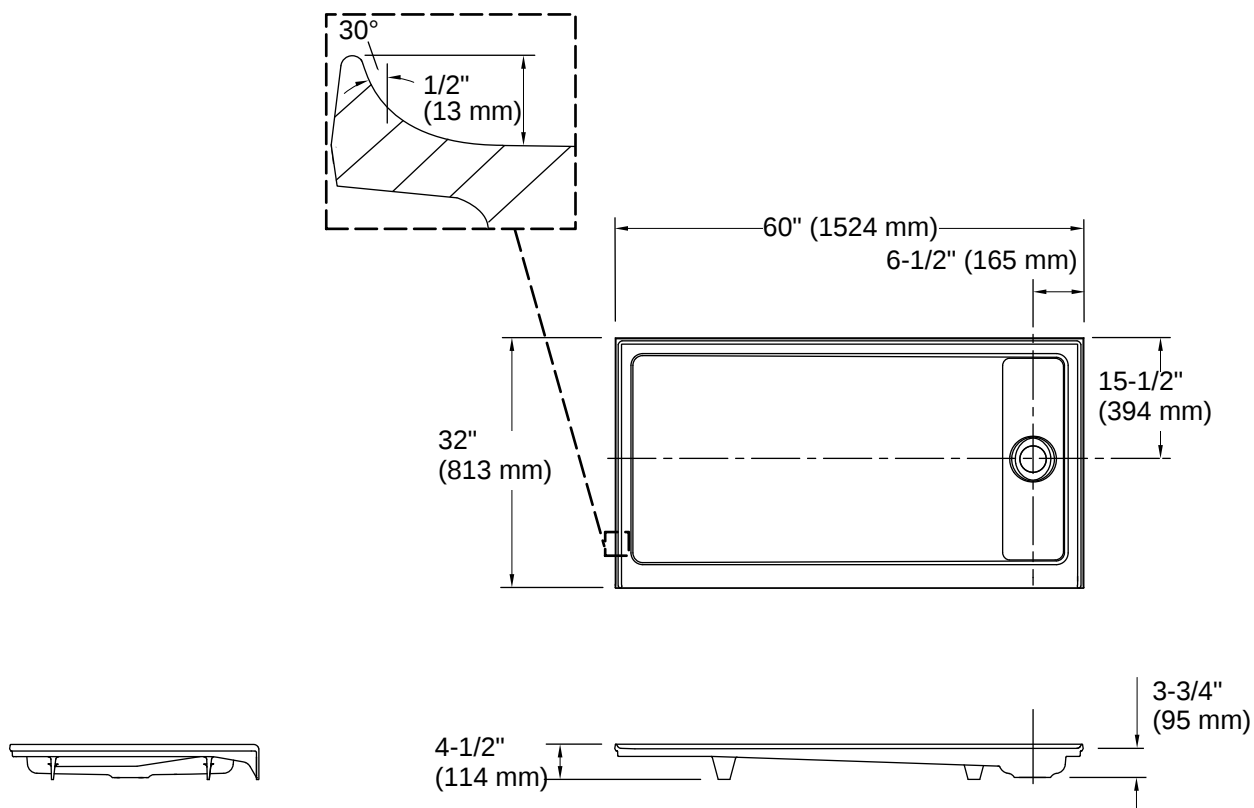
Warranty

See website for detailed warranty information.

KOHLER® Enameled Cast Iron Bath and Shower Base Lifetime
Limited Warranty



1-800-4KOHLER (1-800-456-4537)
Kohler Co. reserves the right to make revisions without notice to product specifications.
For the most current specification sheet, go to www.kohler.com USA or www.kohler.ca Canada.
4-15-2026 4:15 - US-CA



Installation Notes

Install this product according to the installation instructions.

Measure your actual product for rough-in details.

The dimensions are applicable for this product only and should not be used to fabricate substitute bases for shower enclosures.

The K-1657/K-1663 or K-1708/K-1647-PC steam generator/control kit are designed for use with this product. Kohler Co. shall not be responsible for problems encountered due to the installation and use of other manufacturer's steam generators.

