



# Salient® | K-9055

60" x 36" alcove shower base, center drain

## Features

- Spacious shower base offers ample room for showering
- Safeguard® slip-resistant surface provides excellent traction underfoot
- Single threshold for alcove installation with three tile-in flanges



## Sustainability



## Available Colors/Finishes

*Color tiles intended for reference only.*

- 0 White
- 96 Biscuit
- NY Dune
- 58 Thunder Grey
- 7 Black Black



1-800-4KOHLER (1-800-456-4537)  
Kohler Co. reserves the right to make revisions without notice to product specifications.  
For the most current specification sheet, go to [www.kohler.com](http://www.kohler.com) USA or [www.kohler.ca](http://www.kohler.ca) Canada.  
4-15-2026 4:33 - US-CA

THE BOLD LOOK  
OF **KOHLER**

---

## Codes/Standards

ASME A112.19.1/CSA B45.2  
ASTM F462

---

## Technical Information

*All product dimensions are nominal.*

|                            |                        |
|----------------------------|------------------------|
| Drain Location:            | Center                 |
| Drain Hole Diameter:       | 3-3/8" (86 mm)         |
| Shower Ledge Minimum Flat: | 1-15/16" (49 mm)       |
| Minimum Floor Load:        | 35 lbs/ft <sup>2</sup> |
| Weight:                    | 220 lbs (99.8 kg)      |

---

## Material

- KOHLER® enameled cast iron
- 

## Recommended Products/Accessories

K-23726 Drain treatment

K-702207-L Sliding shower door, 70-5/16" H x 56-5/8 - 59-5/8" W, with 3/8" thick Crystal Clear glass

K-23725 Cast iron cleaner

K-9132 Round shower drain for use with plastic pipe, gasket included

K-706009-D3 Sliding shower door, 74" H x 56-5/8 - 59-5/8" W, with 1/4" thick Frosted glass and blade handles

K-706009-L Sliding shower door, 74" H x 56-5/8 - 59-5/8" W, with 1/4" thick Crystal Clear glass

K-706012-L Sliding shower door, 74" H x 56-5/8 - 59-5/8" W, with 3/8" thick Crystal Clear glass

---

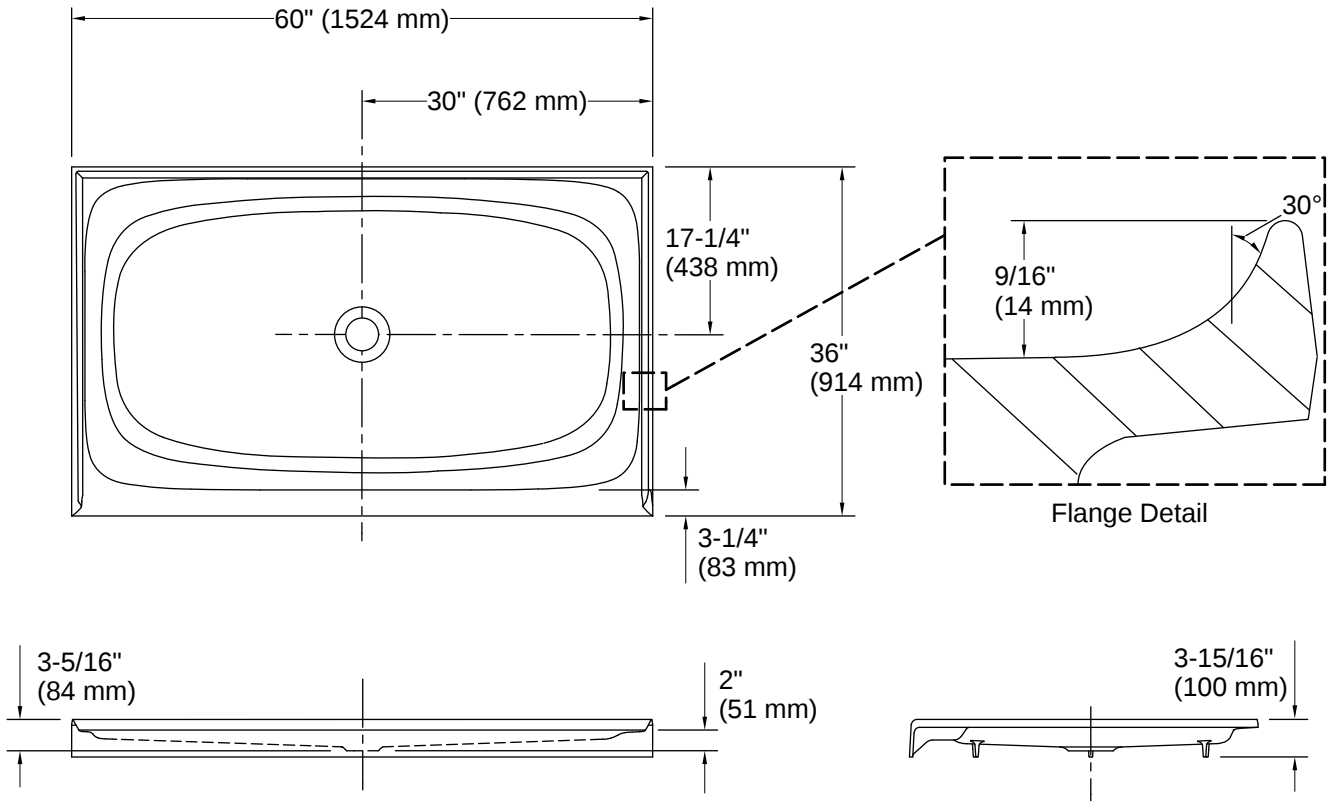
## Warranty

*See website for detailed warranty information.*

KOHLER® Enameled Cast Iron Bath and Shower Base Lifetime Limited Warranty



1-800-4KOHLER (1-800-456-4537)  
Kohler Co. reserves the right to make revisions without notice to product specifications.  
For the most current specification sheet, go to [www.kohler.com](http://www.kohler.com) USA or [www.kohler.ca](http://www.kohler.ca) Canada.  
4-15-2026 4:33 - US-CA



## Installation

- Center drain

## Installation Notes

*Install this product according to the installation instructions.*

Measure your actual product for rough-in details.

Shimming may be required to level the fixture.

Shimming may be required between the stud frame and the fixture.

Stud opening tolerance is + 1/4" (6 mm), - 0" (0 mm).

KOHLER steam generator/control kit is designed for use with this product. Kohler Co. shall not be responsible for problems encountered due to the installation and use of other manufacturer's steam generators.

