

Riverby® | K-8689-4

33" top-mount single-bowl kitchen sink

Features

- 36" minimum base cabinet width
- Single bowl
- 5-1/4" depth
- Bowl slopes toward drain to minimize water pooling
- Offset drain increases workspace in the sink and storage space underneath
- Three faucet holes and one accessory hole to the right



Sustainability



Available Colors/Finishes

Color tiles intended for reference only.

- 0 White
- 96 Biscuit
- 7 Black Black



Codes/Standards

ADA compliant when installed to the specific requirements of these regulations.

ADA

ASME A112.19.1/CSA B45.2
ADA
ICC/ANSI A117.1

Technical Information

All product dimensions are nominal.

Number of Deck Holes:	4
Center(s):	8" (203 mm)
Drain Hole Diameter:	3-7/8" (99 mm)
Minimum Base Cabinet Width:	33" (838 mm)
Basin Configuration:	Single Bowl
Basin Length:	30-1/4" (769 mm)
Basin Width:	15-13/16" (402 mm)
Basin Depth:	5-1/4" (133 mm)

Material

- KOHLER® enameled cast iron

Recommended Products/Accessories

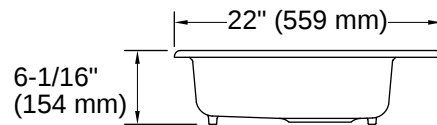
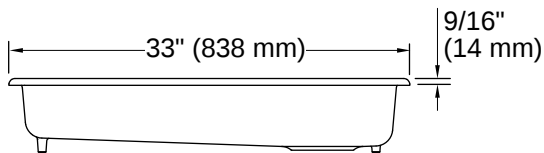
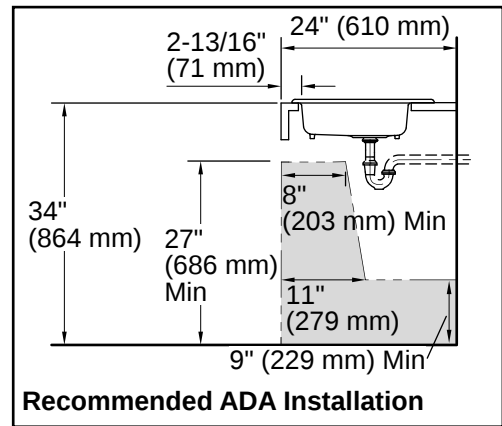
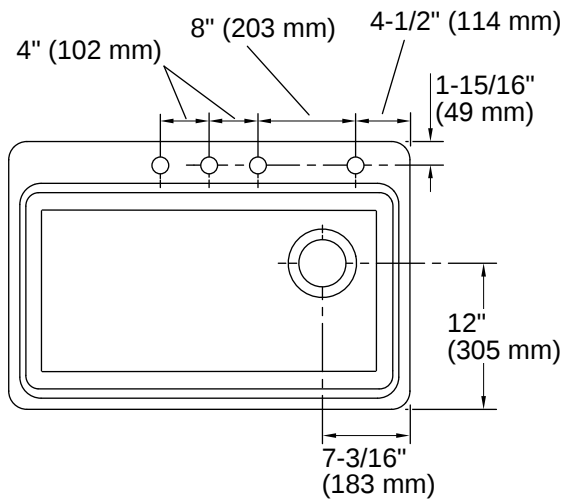
- K-6237 Left-hand sink rack
- K-6255 Right-hand sink rack
- K-23726 Drain treatment
- K-23725 Cast iron cleaner
- K-8801 Sink drain and strainer with tailpiece
- K-8799 Sink drain and strainer basket, less tailpiece
- K-35000 Three-piece workstation sink accessory set
- K-35001 Maple wood cutting board
- K-35002 Ice bucket holder
- K-35003 Workstation sink cover
- K-35004 HDPE cutting board
- K-35005 Marble serving tray
- K-35007 Bifold multipurpose rack
- K-35487 Three-piece ice bucket set
- K-35484 Three-piece workstation prep bowl set

Warranty

See website for detailed warranty information.

KOHLER® Enameled Cast Iron Kitchen and Bathroom Sink Lifetime Limited Warranty





Installation

- Top-mount

Installation Notes

Install this product according to the installation instructions.

ADA compliant when installed to the specific requirements of these regulations.

