



Riverby® | K-8679-5UPC

33" undermount double-bowl workstation kitchen sink

Features

- 36" minimum base cabinet width
- Double-equal bowls
- 9" (229 mm) depth provides generous workspace
- Five oversized faucet holes
- Oversized holes allow for easy installation of faucets and accessories
- Bowl slopes toward drain to minimize water pooling
- Offset drains increase workspace in the sink and storage space underneath
- Included accessories: cutting board, drain board, colander / drying rack, soaking bin with drain, stainless steel bottom sink racks
- Drain board, colander / drying rack, soaking bin with drain, and bottom sink racks are dishwasher-safe
- Sink drain with strainer sold separately



Sustainability



Available Colors/Finishes

Color tiles intended for reference only.

- | | |
|-----|--------------|
| 0 | White |
| FF | Sea Salt |
| 96 | Biscuit |
| NY | Dune |
| 95 | Ice Grey |
| 58 | Thunder Grey |
| 7 | Black Black |
| TRF | Truffle |
| 17 | Teal |
| 34 | Fresh Green |
| 42 | Aspen Green |



1-800-4KOHLER (1-800-456-4537)
Kohler Co. reserves the right to make revisions without notice to product specifications.
For the most current specification sheet, go to www.kohler.com USA or www.kohler.ca Canada.
4-15-2026 2:18 - US-CA

THE BOLD LOOK
OF **KOHLER**

Codes/Standards

ASME A112.19.1/CSA B45.2

Technical Information

All product dimensions are nominal.

Number of Deck Holes:	5
Faucet Hole(s) Size:	2-3/8" (60 mm)
Center(s):	8" (203 mm)
Drain Hole Diameter:	3-7/8" (98 mm)
Minimum Base Cabinet Width:	36" (914 mm)
Basin Configuration:	Equal Bowls
Left Basin Length:	14-5/16" (363 mm)
Left Basin Width:	15-13/16" (402 mm)
Left Basin Depth:	9" (229 mm)
Right Basin Length:	14-5/16" (364 mm)
Right Basin Width:	15-13/16" (402 mm)
Right Basin Depth:	9" (229 mm)

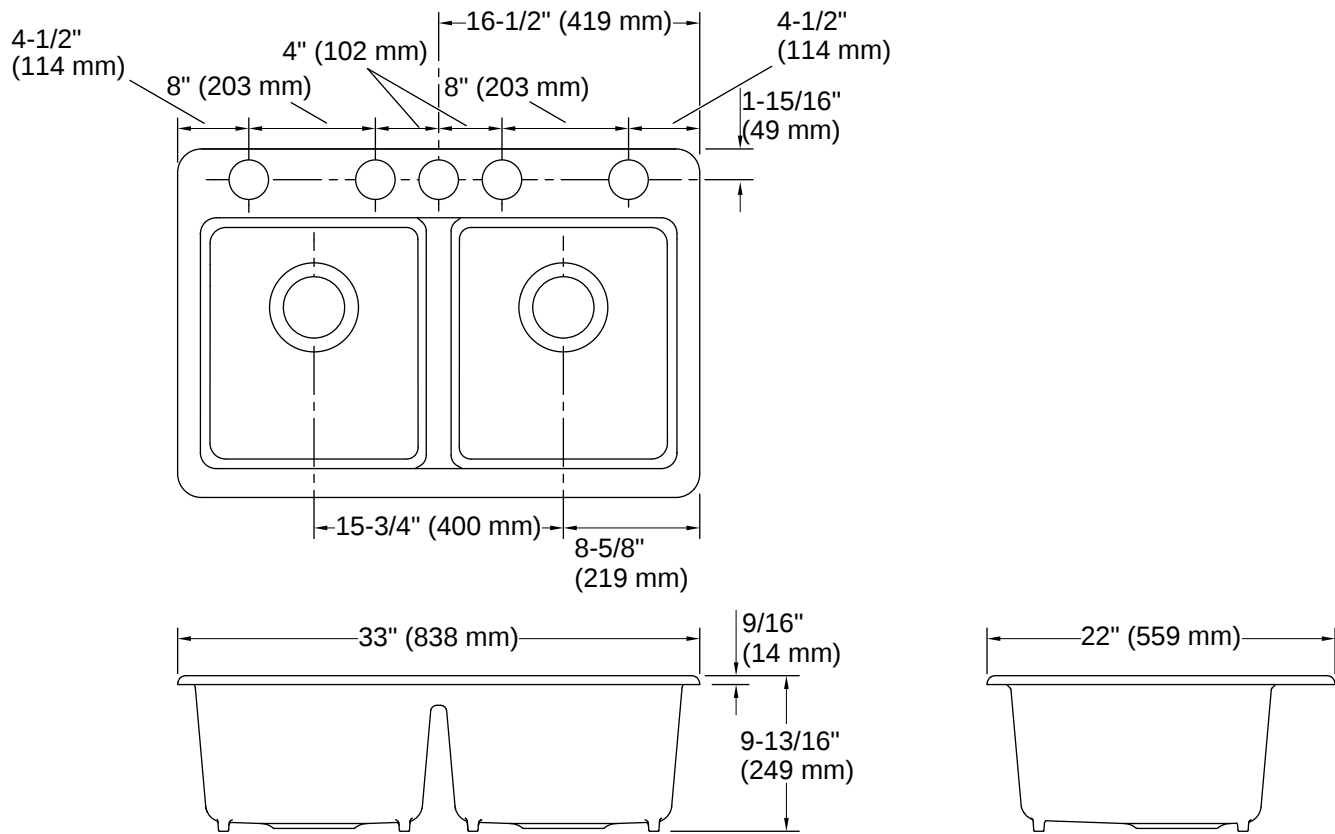
Material

- KOHLER® enameled cast iron

Recommended Products/Accessories

- K-8801 Sink drain and strainer with tailpiece
- K-9238 Sink rack
- K-8799 Sink drain and strainer basket, less tailpiece
- K-23726 Drain treatment
- K-23725 Cast iron cleaner
- K-35007 Bifold multipurpose rack
- K-35002 Ice bucket holder
- K-35003 Workstation sink cover
- K-35004 HDPE cutting board
- K-35005 Marble serving tray
- K-35487 Three-piece ice bucket set
- K-35484 Three-piece workstation prep bowl set





Installation

- Undermount

Installation Notes

Install this product according to the installation instructions.

NOTICE: Countertop manufacturer or cutter must use the cut-out template provided with the product, or a current one provided by Kohler Co. (call 1-800-4KOHLER). Kohler Co. is not responsible for cutout errors when the incorrect cut-out template is used

