



# Riverby® | K-8679-1A1

33" top-mount double-bowl kitchen sink

## Features

- 33" (838 mm) minimum base cabinet width
- Double-equal bowls
- 9" (229 mm) depth provides generous workspace
- Single faucet hole
- Bowl slopes toward drain to minimize water pooling
- Offset drains increase workspace in the sink and storage space underneath
- Box includes: Sink, two sink racks, installation hardware, cutout template
- Sink drain with strainer sold separately



## Sustainability



1-800-4KOHLER (1-800-456-4537)  
Kohler Co. reserves the right to make revisions without notice to product specifications.  
For the most current specification sheet, go to [www.kohler.com](http://www.kohler.com) USA or [www.kohler.ca](http://www.kohler.ca) Canada.  
4-15-2026 2:45 - US-CA

THE BOLD LOOK  
OF **KOHLER**

## Codes/Standards

ASME A112.19.1/CSA B45.2

## Technical Information

*All product dimensions are nominal.*

Number of Deck Holes:	1
Faucet Hole(s) Size:	1-3/8" (35 mm)
Drain Hole Diameter:	3-7/8" (98 mm)
Minimum Base Cabinet Width:	33" (838 mm)
Basin Configuration:	Equal Bowls
Left Basin Length:	14-5/16" (363 mm)
Left Basin Width:	15-13/16" (402 mm)
Left Basin Depth:	9" (229 mm)
Right Basin Length:	14-5/16" (364 mm)
Right Basin Width:	15-13/16" (402 mm)
Right Basin Depth:	9" (229 mm)

## Material

- KOHLER® enameled cast iron
- Acid-resistant enamel finish

## Recommended Products/Accessories

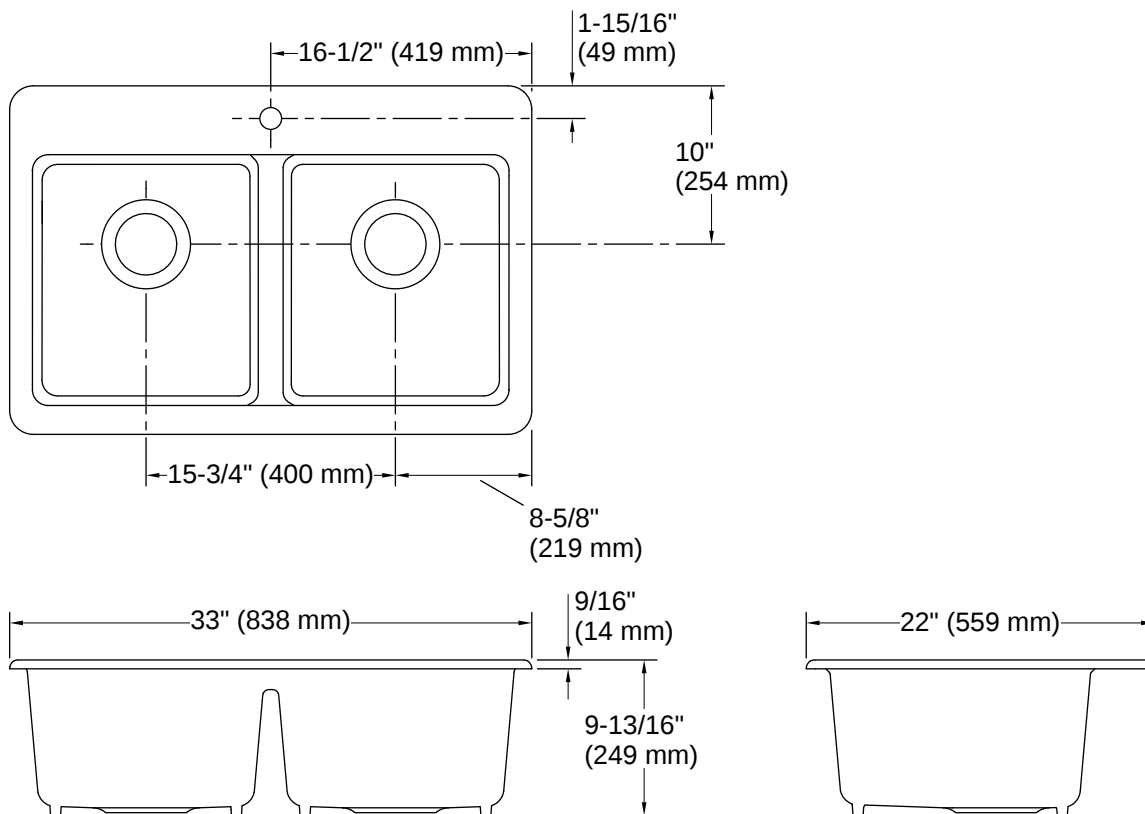
K-8801 Sink drain and strainer with tailpiece  
K-9238 Sink rack  
K-8799 Sink drain and strainer basket, less tailpiece  
K-23726 Drain treatment  
K-23725 Cast iron cleaner  
K-35007 Bifold multipurpose rack  
K-35000 Three-piece workstation sink accessory set  
K-35001 Maple wood cutting board  
K-35002 Ice bucket holder  
K-35003 Workstation sink cover  
K-35004 HDPE cutting board  
K-35005 Marble serving tray  
K-35487 Three-piece ice bucket set  
K-35484 Three-piece workstation prep bowl set

## Warranty

*See website for detailed warranty information.*

KOHLER® Enameled Cast Iron Kitchen and Bathroom Sink Lifetime Limited Warranty





## Installation

- Top-mount

## Installation Notes

*Install this product according to the installation instructions.*

NOTICE: Countertop manufacturer or cutter must use the cut-out template provided with the product, or a current one provided by Kohler Co. (call 1-800-4KOHLER). Kohler Co. is not responsible for cutout errors when the incorrect cut-out template is used.

