

## Riverby® | K-8669-4A2

33" top-mount double-bowl workstation kitchen sink

### Features

- 33" (838 mm) minimum base cabinet width
- Large/medium bowls
- 9" (229 mm) depth provides generous workspace
- Bowl slopes toward drain to minimize water pooling
- Offset drains increase workspace in the sink and storage space underneath
- Includes K-6239 colander with integral cutting board and K-9234 left-hand bottom sink rack
- Three faucet holes and one accessory hole to the right



### Sustainability



### Available Colors/Finishes

*Color tiles intended for reference only.*

0	White
96	Biscuit
NY	Dune
33	Mexican Sand
FT	Basalt
58	Thunder Grey
FP	Caviar
7	Black Black



## Codes/Standards

ASME A112.19.1/CSA B45.2

## Technical Information

*All product dimensions are nominal.*

Number of Deck Holes:	4
Center(s):	8" (203 mm)
Drain Hole Diameter:	3-7/8" (99 mm)
Minimum Base Cabinet Width:	33" (838 mm)
Basin Configuration:	Large Bowl on Left
Left Basin Length:	17-9/16" (446 mm)
Left Basin Width:	15-13/16" (402 mm)
Left Basin Depth:	9" (229 mm)
Right Basin Length:	11-1/16" (281 mm)
Right Basin Width:	15-13/16" (402 mm)
Right Basin Depth:	9" (229 mm)

## Material

- KOHLER® enameled cast iron

## Recommended Products/Accessories

K-9234 Sink rack

K-23726 Drain treatment

K-23725 Cast iron cleaner

K-8801 Sink drain and strainer with tailpiece

K-8799 Sink drain and strainer basket, less tailpiece

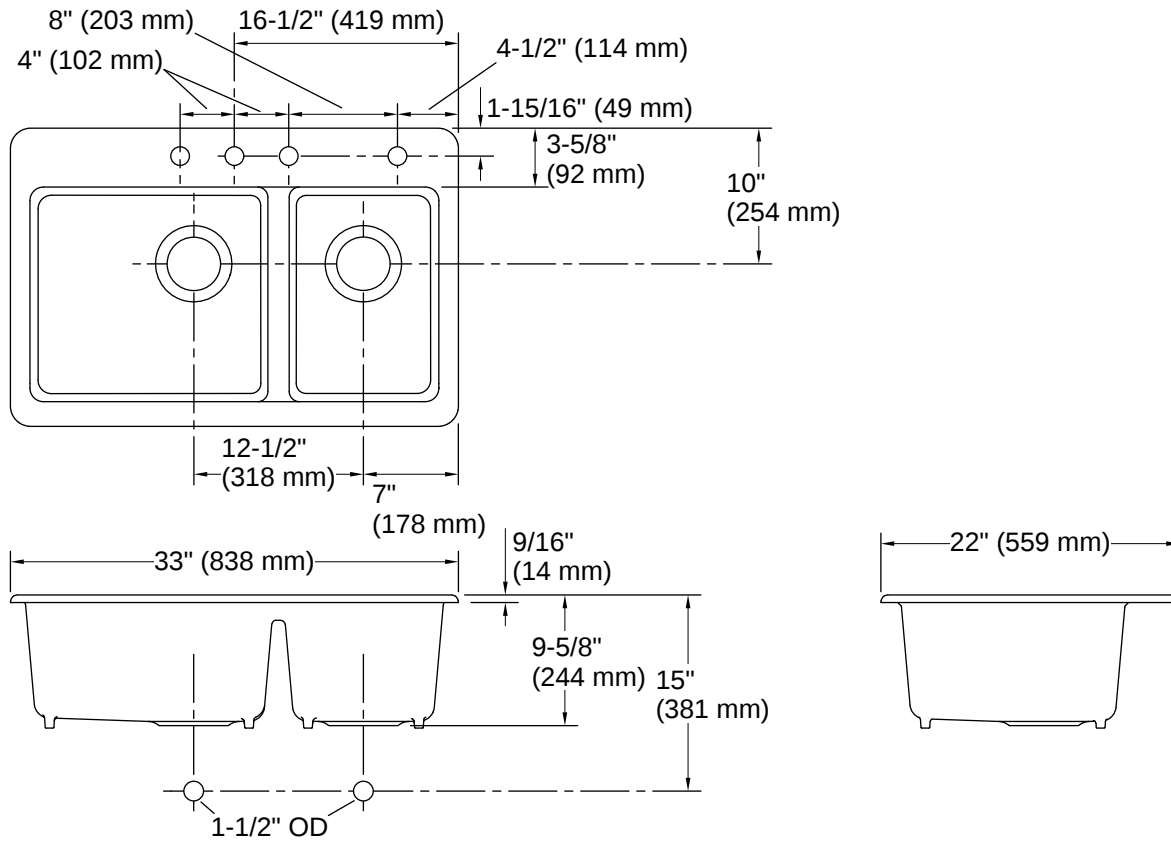
## Warranty

*See website for detailed warranty information.*

KOHLER® Enameled Cast Iron Kitchen and Bathroom Sink Lifetime Limited Warranty



1-800-4KOHLER (1-800-456-4537)  
Kohler Co. reserves the right to make revisions without notice to product specifications.  
For the most current specification sheet, go to [www.kohler.com](http://www.kohler.com) USA or [www.kohler.ca](http://www.kohler.ca) Canada.  
4-15-2026 2:58 - US-CA



## Installation

- Top-mount

## Installation Notes

*Install this product according to the installation instructions.*

