

Riverby® | K-8669-3A2

33" top-mount double-bowl workstation kitchen sink

Features

- 33" (838 mm) minimum base cabinet width
- Large/medium bowls
- 9" (229 mm) depth provides generous workspace
- Three faucet holes
- Bowl slopes toward drain to minimize water pooling
- Offset drains increase workspace in the sink and storage space underneath
- Includes K-6239 colander with integral cutting board and K-9234 left-hand bottom sink rack



Sustainability



Available Colors/Finishes

Color tiles intended for reference only.

- | | |
|----|--------------|
| 0 | White |
| 96 | Biscuit |
| NY | Dune |
| 33 | Mexican Sand |
| FT | Basalt |
| 58 | Thunder Grey |
| FP | Caviar |
| 7 | Black Black |



Codes/Standards

ASME A112.19.1/CSA B45.2

Technical Information

All product dimensions are nominal.

Number of Deck Holes:	3
Drain Hole Diameter:	3-7/8" (99 mm)
Minimum Base Cabinet Width:	33" (838 mm)
Basin Configuration:	Large Bowl on Left
Left Basin Length:	17-9/16" (446 mm)
Left Basin Width:	15-13/16" (402 mm)
Left Basin Depth:	9" (229 mm)
Right Basin Length:	11-1/16" (281 mm)
Right Basin Width:	15-13/16" (402 mm)
Right Basin Depth:	9" (229 mm)

Material

- KOHLER® enameled cast iron

Recommended Products/Accessories

K-9234 Sink rack

K-23726 Drain treatment

K-23725 Cast iron cleaner

K-8801 Sink drain and strainer with tailpiece

K-8799 Sink drain and strainer basket, less tailpiece

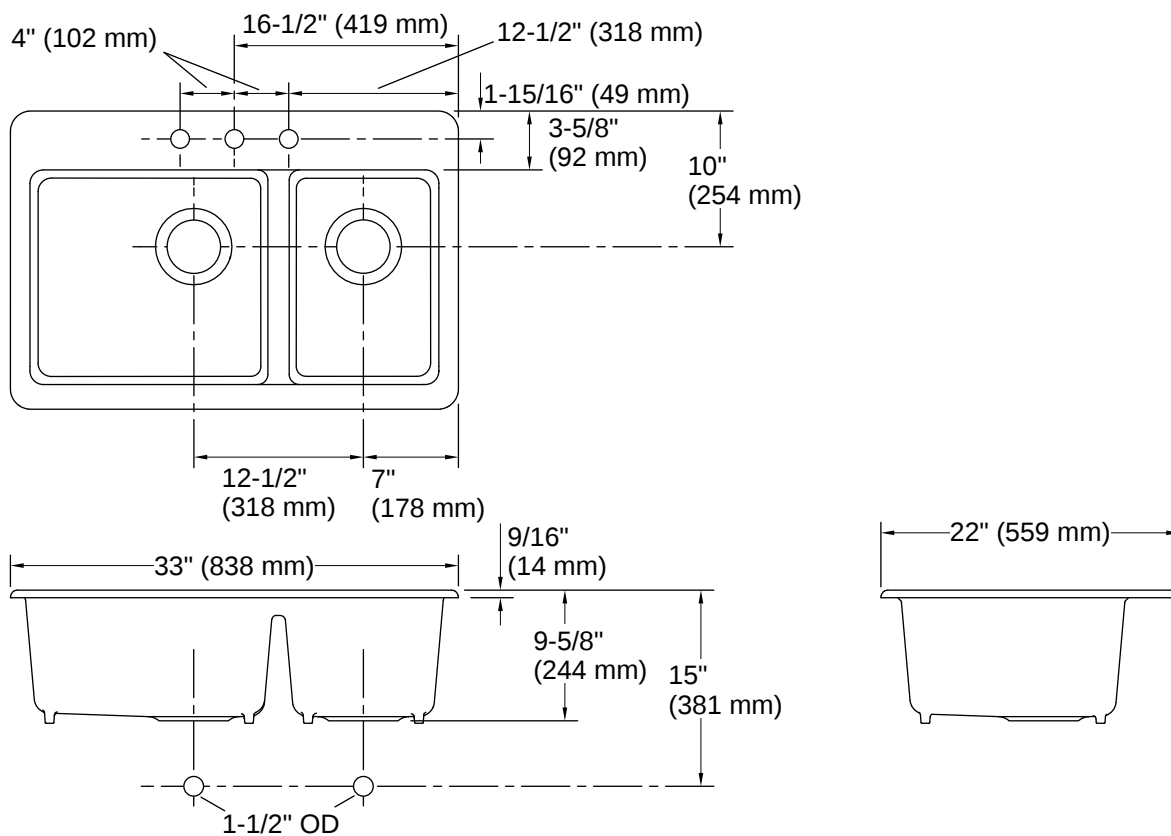
Warranty

See website for detailed warranty information.

KOHLER® Enameled Cast Iron Kitchen and Bathroom Sink Lifetime Limited Warranty



1-800-4KOHLER (1-800-456-4537)
Kohler Co. reserves the right to make revisions without notice to product specifications.
For the most current specification sheet, go to www.kohler.com USA or www.kohler.ca Canada.
4-15-2026 2:37 - US-CA



Installation

- Top-mount

Installation Notes

Install this product according to the installation instructions.

