



Rely® | K-8649

60" x 34" alcove shower base, center drain

Features

- Low-threshold design for easy entry and exit
- Molded-in textured floor
- Water containment bead incorporated into threshold design provides an optimum barrier, preventing water from escaping from shower space
- Single threshold for alcove installation
- Coordinates with Choreograph® shower walls and other KOHLER® collections



Available Colors/Finishes

Color tiles intended for reference only.

- 0 White
- 96 Biscuit



1-800-4KOHLER (1-800-456-4537)
Kohler Co. reserves the right to make revisions without notice to product specifications.
For the most current specification sheet, go to www.kohler.com USA or www.kohler.ca Canada.
4-15-2026 4:59 - US-CA

THE BOLD LOOK
OF **KOHLER**®

Codes/Standards

CSA B45.5/IAPMO Z124
ASTM E162
ASTM E662

Technical Information

All product dimensions are nominal.

Drain Location:	Center
Drain Hole Diameter:	3-3/8" (86 mm)
Shower Ledge Minimum Flat:	2-5/8" (67 mm)
Weight:	63 lbs (28.6 kg)

Material

- Acrylic
-

Recommended Products/Accessories

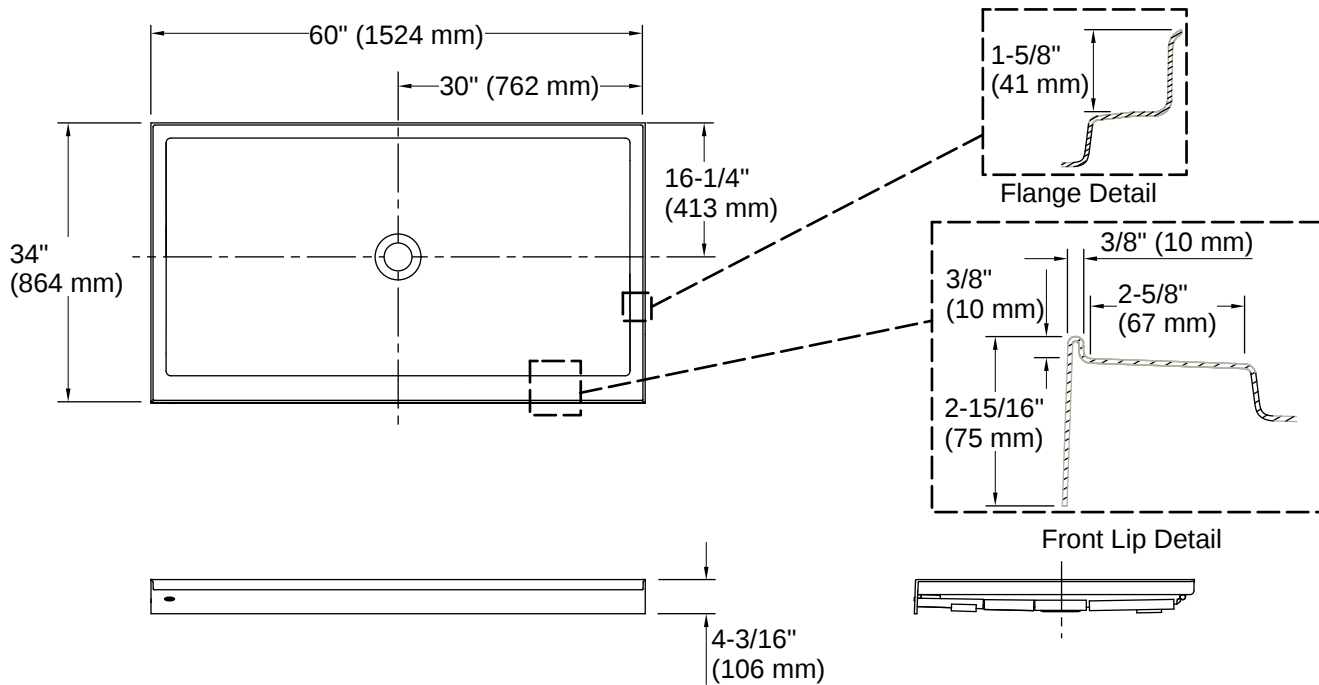
K-23726 Drain treatment
K-23732 Tub & shower cleaner
K-9132 Round shower drain for use with plastic pipe, gasket included

Warranty

See website for detailed warranty information.

KOHLER® Plastic Baths and Shower Bases Lifetime Limited Warranty





Installation

- Center drain

Installation Notes

Install this product according to the installation instructions.

Measure your actual product for rough-in details.

Subfloor must be within 1/2" (13 mm) of level.

This receptor has a front lip. This should be taken into account when installing a shower door.

