



# Rely® | K-8644

36" x 34" alcove shower base, center drain

## Features

- Low-threshold design for easy entry and exit
- Molded-in textured floor
- Water containment bead incorporated into threshold design provides an optimum barrier, preventing water from escaping from shower space
- Single threshold for alcove installation
- Coordinates with Choreograph® shower walls and other KOHLER® collections



## Available Colors/Finishes

*Color tiles intended for reference only.*

- 0 White
- 96 Biscuit



1-800-4KOHLER (1-800-456-4537)  
Kohler Co. reserves the right to make revisions without notice to product specifications.  
For the most current specification sheet, go to [www.kohler.com](http://www.kohler.com) USA or [www.kohler.ca](http://www.kohler.ca) Canada.  
4-15-2026 4:32 - US-CA

THE BOLD LOOK  
OF **KOHLER**®

---

## Codes/Standards

CSA B45.5/IAPMO Z124  
ASTM E162  
ASTM E662

---

## Technical Information

*All product dimensions are nominal.*

Drain Location:	Center
Drain Hole Diameter:	3-3/8" (86 mm)
Shower Ledge Minimum Flat:	2-5/8" (67 mm)
Weight:	34 lbs (15.4 kg)

---

## Material

- Acrylic
- 

## Recommended Products/Accessories

K-23726 Drain treatment  
K-23732 Tub & shower cleaner  
K-9132 Round shower drain for use with plastic pipe, gasket included

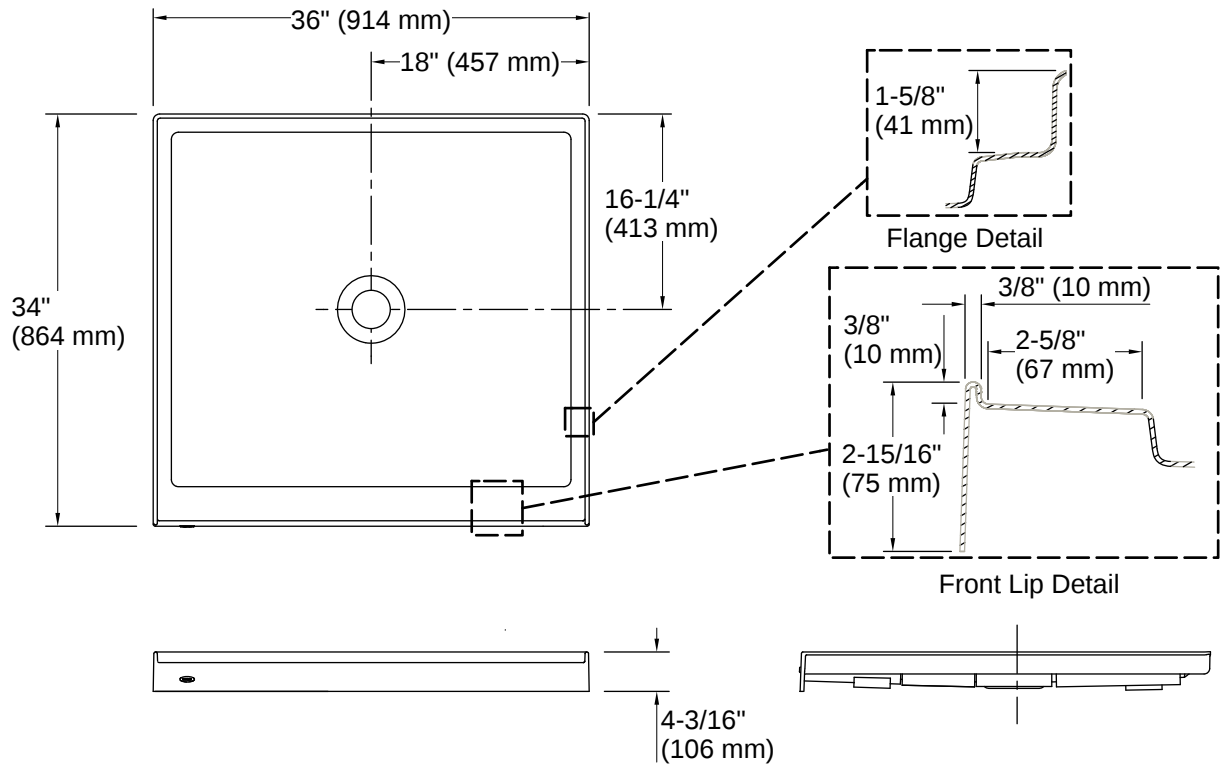
---

## Warranty

*See website for detailed warranty information.*

KOHLER® Plastic Baths and Shower Bases Lifetime Limited Warranty





## Installation

- Center drain

## Installation Notes

*Install this product according to the installation instructions.*

Measure your actual product for rough-in details.

Subfloor must be within 1/2" (13 mm) of level.

This receptor has a front lip. This should be taken into account when installing a shower door.

