



# Tea-for-Two® | K-856-GHNY

66" x 36" drop-in Heated BubbleMassage™ air bath

## Features

- 44 airjets release thousands of heated bubbles that surround, support, and massage the body
- Variable-speed blower lets you adjust massage intensity to 18 levels
- Automatic and manual purge cycles remove residual water from air channels after use
- Spacious design accommodates up to two bathers
- Lighted keypad control
- 60-minute automatic shutoff timer
- Safeguard® slip-resistant surface provides excellent traction underfoot
- Integral lumbar support



## Sustainability



## Available Colors/Finishes

*Color tiles intended for reference only.*

■ NY Dune



1-800-4KOHLER (1-800-456-4537)  
Kohler Co. reserves the right to make revisions without notice to product specifications.  
For the most current specification sheet, go to [www.kohler.com](http://www.kohler.com) USA or [www.kohler.ca](http://www.kohler.ca) Canada.  
4-15-2026 5:40 - US-CA

THE BOLD LOOK  
OF **KOHLER**

## Codes/Standards

ASME A112.19.1/CSA B45.2  
ASME A112.19.7/CSA B45.10  
ASTM F462  
UL 1795  
CSA C22.2 No. 218.2  
cUL Listed  
UL Listed

## Technical Information

*All product dimensions are nominal.*

Drain Location:	Reversible
Drain Hole Diameter:	2" (51 mm)
Minimum Flat for Door:	1-15/16" (50 mm)
Basin Area, Bottom:	45" x 25" (1143 mm x 635 mm)
Basin Area, Top:	58" x 29" (1473 mm x 737 mm)
Water Depth:	19-1/2" (495 mm)
Water Capacity:	105 gal (397.5 L)
Minimum Floor Load:	86 lbs/ft <sup>2</sup>
Weight:	510 lbs (231.3 kg)
Cutout:	Drop-in, 64-1/2" x 34-1/2" (1638 mm x 876 mm)

## Material

- KOHLER® enameled cast iron

## Recommended Products/Accessories

K-587 Undermount kit for select 66" Tea-for-Two bath models  
K-1179 Tiling-in bead, 180" length

## Required Products/Accessories

- K-23857 Bath drain trim
- or
- K-78440 33" cable pop-up bath drain

## Technology

- Heated BubbleMassage™ technology warms and humidifies air before it enters the bath

## Required Electrical Service

Two dedicated circuits required, protected with Class A Ground-Fault Circuit-Interrupter (GFCI). Outside North America, this device may be known as a Residual Current Device (RCD).

Blower:	120 V, 15 A, 60 Hz
Air bath:	120 V, 15 A, 60 Hz

## Electrical Component Ratings

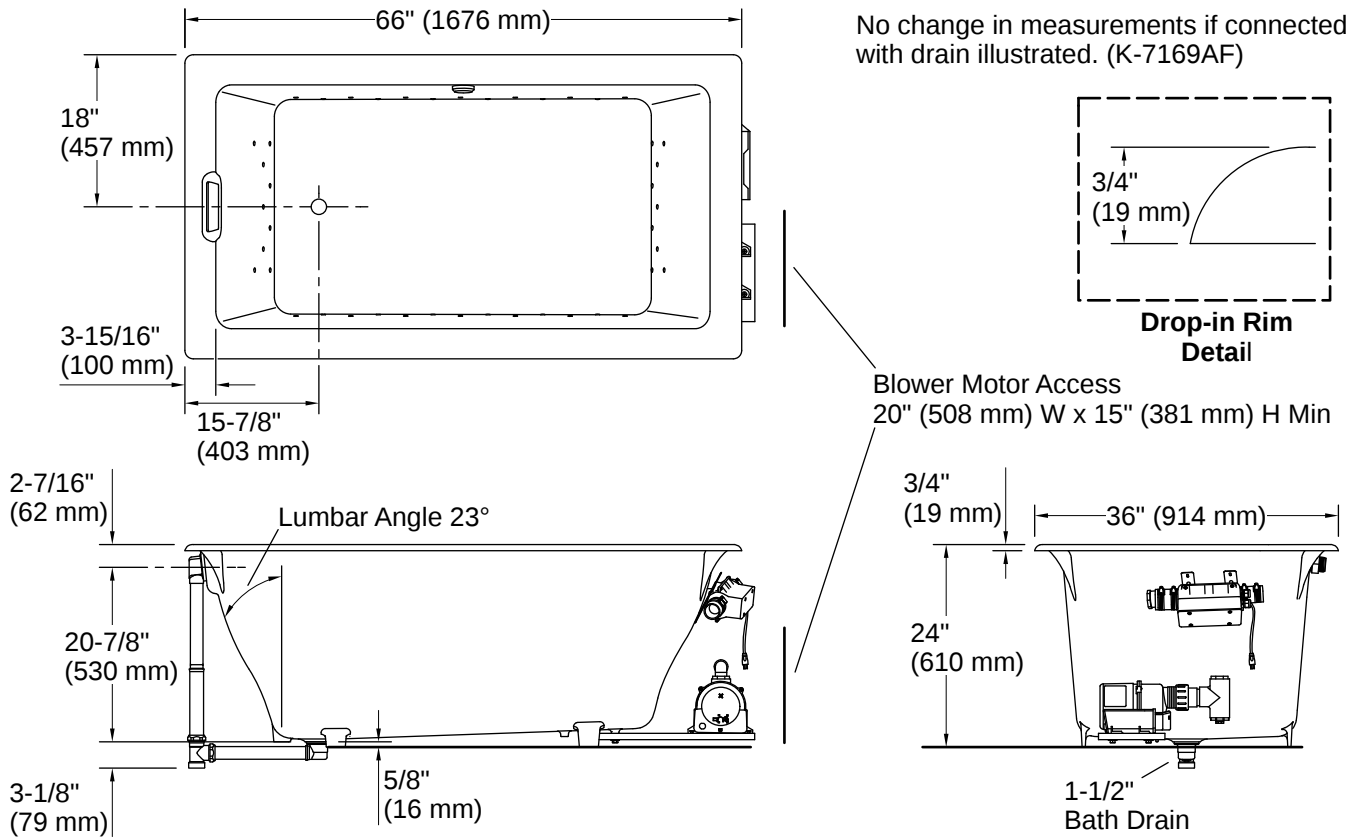
Blower:	120 V, 10 A
Air bath:	120 V, 5 A, 60 Hz

## Warranty

*See website for detailed warranty information.*

KOHLER® Enameled Cast Iron Bath and Shower Base Lifetime Limited Warranty|KOHLER® Hydrotherapy Components Five-Year Limited Warranty





## Installation

- Drop-in or undermount
- Reversible drain
- 120 V electrical requirement allows for easy installation with standard outlet
- Requires two dedicated circuits
- Requires cable pop-up bath drain and bath drain trim (sold separately)

## Installation Notes

*Install this product according to the installation instructions.*

Measure your actual product for rough-in details.

The hot water supply should be 70% of the capacity of the bath or greater. Installations will vary.

