



# Bellwether® | K-848

66" x 32" alcove bath, right drain

## Features

- Clean lines and streamlined style add contemporary appeal to any bathroom
- 16-1/2" apron height for easy entry and exit
- Standard size simplifies installation in remodels
- Safeguard® slip-resistant surface provides excellent traction underfoot
- Wide ledges for extra storage space



## Sustainability



## Available Colors/Finishes

*Color tiles intended for reference only.*

- 0 White
- 96 Biscuit



1-800-4KOHLER (1-800-456-4537)  
Kohler Co. reserves the right to make revisions without notice to product specifications.  
For the most current specification sheet, go to [www.kohler.com](http://www.kohler.com) USA or [www.kohler.ca](http://www.kohler.ca) Canada.  
4-15-2026 4:52 - US-CA

THE BOLD LOOK  
OF **KOHLER**

---

## Codes/Standards

*ADA compliant when installed to the specific requirements of these regulations.*

ADA

ASME A112.19.1/CSA B45.2  
ASTM F462  
ADA  
ICC/ANSI A117.1

---

## Technical Information

*All product dimensions are nominal.*

Drain Location:	Right
Drain Hole Diameter:	2-3/16" (56 mm)
Minimum Flat for Door:	2-9/16" (65 mm)
Basin Area, Bottom:	50-3/4" x 20-5/16" (1289 mm x 516 mm)
Basin Area, Top:	58-7/16" x 22-5/8" (1484 mm x 575 mm)
Water Depth:	11-11/16" (297 mm)
Water Capacity:	49 gal (185.5 L)
Minimum Floor Load:	57 lbs/ft <sup>2</sup>
Weight:	400 lbs (181.4 kg)

---

## Material

- KOHLER® enameled cast iron
- 

## Recommended Products/Accessories

K-23726 Drain treatment

K-23725 Cast iron cleaner

---

## Warranty

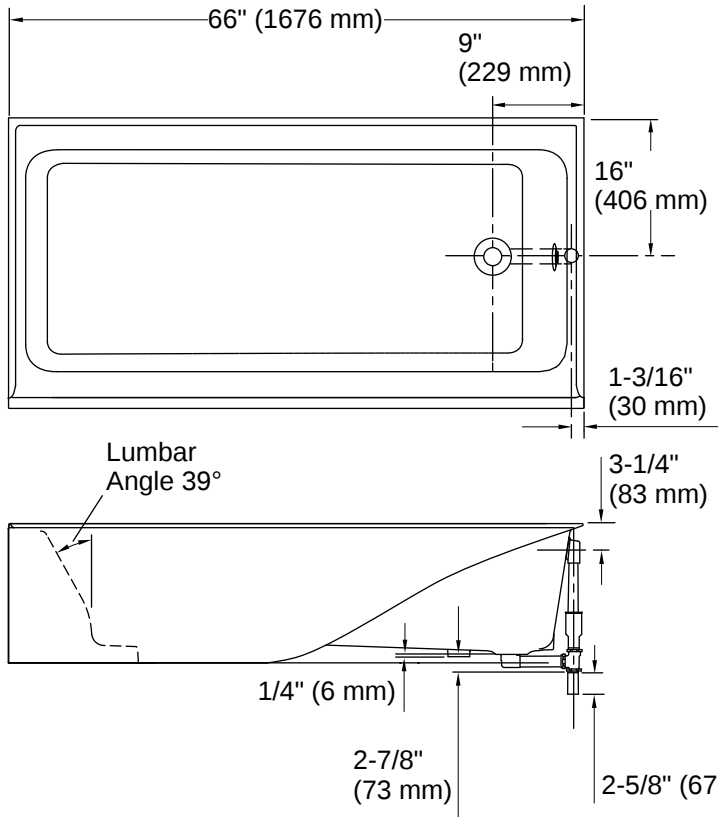
*See website for detailed warranty information.*

KOHLER® Enameled Cast Iron Bath and Shower Base Lifetime  
Limited Warranty

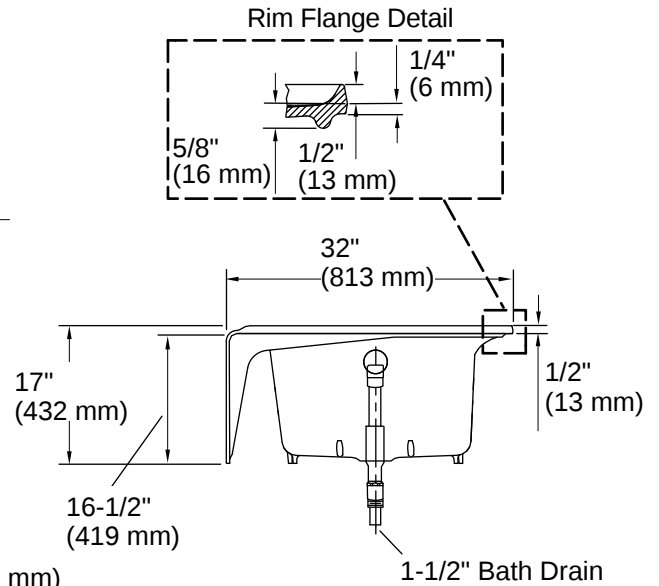
---



1-800-4KOHLER (1-800-456-4537)  
Kohler Co. reserves the right to make revisions without notice to product specifications.  
For the most current specification sheet, go to [www.kohler.com](http://www.kohler.com) USA or [www.kohler.ca](http://www.kohler.ca) Canada.  
4-15-2026 4:52 - US-CA



No change in measurement if connected with drain illustrated. (K-7259)



## Installation

- Right drain
- Alcove

## Installation Notes

*Install this product according to the installation instructions.*

Measure your actual product for rough-in details.

The hot water supply should be 70% of the capacity of the bath or greater. Installations will vary.

ADA compliant when installed to the specific requirements of these regulations.

