



# Kingston™ | K-84434

Wall-mount top-spud toilet bowl, 1.28 or 1.6 gpf

## Features

- Elongated bowl offers added room and comfort
- Siphon jet
- 1.28 or 1.6 gpf (4.8 or 6.0 lpf) depending on flushometer specified
- 10-1/2" x 7-7/8" (267 x 200 mm) water surface
- 1-1/2" (38 mm) top spud



## Sustainability



1-800-4KOHLER (1-800-456-4537)  
Kohler Co. reserves the right to make revisions without notice to product specifications.  
For the most current specification sheet, go to [www.kohler.com](http://www.kohler.com) USA or [www.kohler.ca](http://www.kohler.ca) Canada.  
4-15-2026 6:42 - US-CA

THE BOLD LOOK  
OF **KOHLER**®

## Codes/Standards

ADA, OBC, CSA B651 compliant when installed to the specific requirements of these regulations.

Accessibility standards may require controls to be located on the open side of the toilet.

This product should be used with a WaterSense labeled counterpart with the same rated flush volume to ensure the complete system meets the requirements of this specification for water efficiency and performance.



ADA    CSA B651    OBC

ASME A112.19.2/CSA B45.1  
DOE - Energy Policy Act 1992  
EPA WaterSense®  
California Energy Commission (CEC)  
ADA  
ICC/ANSI A117.1  
CSA B651  
OBC

## Warranty

See website for detailed warranty information.

KOHLER® One-Year Limited Warranty

## Technical Information

Installation Type:	Wall-hung
Rough-in:	11.25"
Flush Type:	Siphon
Flush Rate:	1.28 or 1.6 gpf (4.8 or 6.0 lpf)
Bowl Shape:	Elongated
Waste Outlet:	Wall
Trapway Size:	2-5/16" (59 mm)
Trapway Type:	Exposed
Rim to Water Surface:	4-15/16" (125 mm)

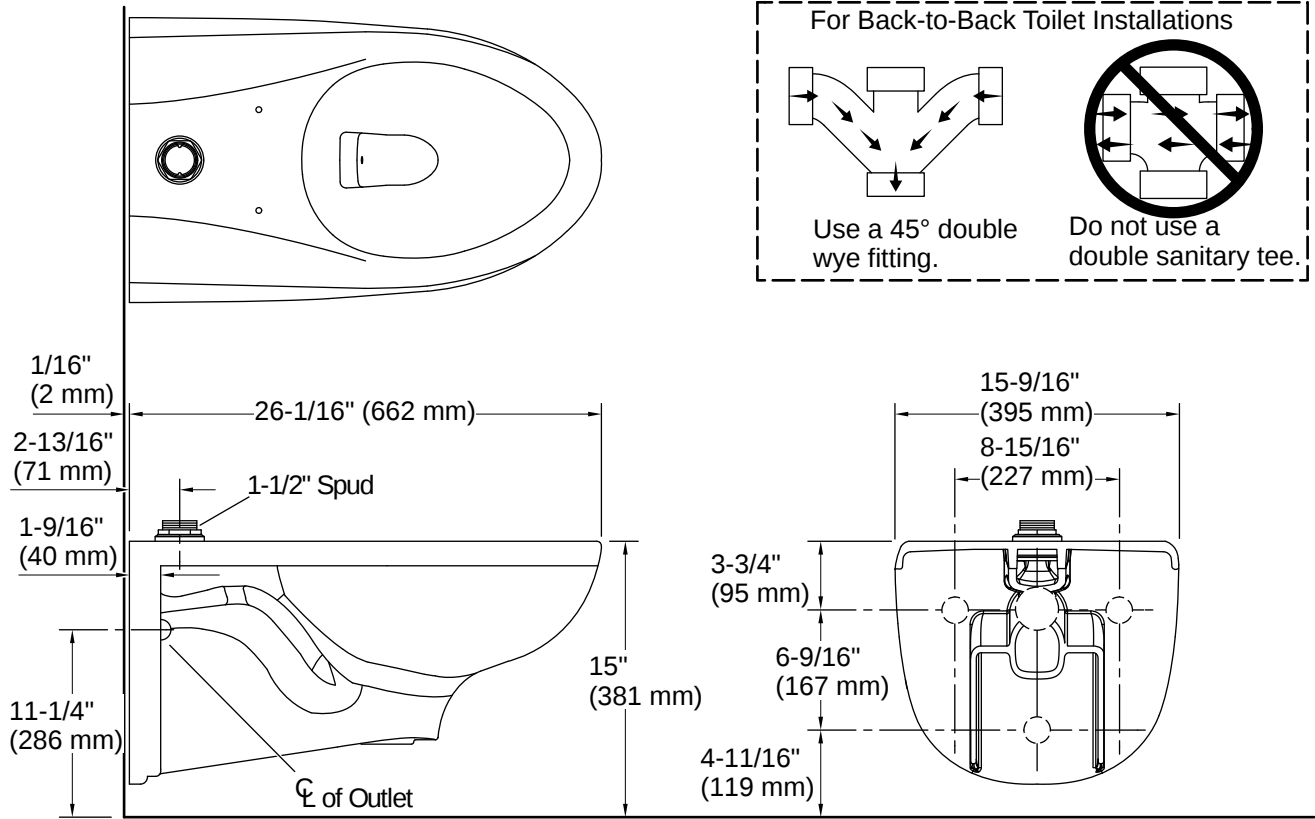
## Material

- Vitreous china

## Technology

- Cast-on putty plate resists breakage
- New design eliminates gas leaks, splashing and paper shredding





**Installation**

- Three-bolt wall-mount
- This product is not designed or intended for bariatric use
- This product replaces Stratton™ K-4450-C

**Installation Notes**

*Install this product according to the installation instructions.*

Product dimensions are nominal and may vary per ASME A112.19.2 tolerances.

This product should be used with a WaterSense labeled counterpart with the same rated flush volume to ensure the complete system meets the requirements of this specification for water efficiency and performance.

ADA, OBC, CSA B651 compliant when installed to the specific requirements of these regulations.

Plumbing codes may require elongated toilets and elongated, open-front seats in public bathrooms.

Accessibility standards may require controls to be located on the open side of the toilet.

