

## Kingston™ Ultra | K-84325

Wall-mount toilet bowl with top spud

### Features

- Elongated bowl offers added room and comfort
- Siphon jet
- 1-1/2" (38 mm) top spud
- 1.0 gpf (3.8 lpf), 1.1 gpf (4.2 lpf), 1.28 (4.8 lpf), or 1.6 gpf (6.0 lpf) depending on flushometer specified
- 11" x 8-1/4" (279 mm x 210 mm) water surface
- Wall-mounted vitreous china water closet bowls withstand a vertical force up to 1,000 lbs



### Sustainability



### Available Colors/Finishes

*Color tiles intended for reference only.*

- 0 White
- 96 Biscuit
- 7 Black Black



## Codes/Standards

*For ADA compliance, the rear grab bar may need to be shifted or split.*

*ADA, OBC, CSA B651 compliant when installed to the specific requirements of these regulations.*

*Accessibility standards may require controls to be located on the open side of the toilet.*

*Plumbing codes may require elongated toilets and elongated, open-front seats in public bathrooms.*

*This product should be used with a WaterSense labeled counterpart with the same rated flush volume to ensure the complete system meets the requirements of this specification for water efficiency and performance.*



ASME A112.19.2/CSA B45.1  
 DOE - Energy Policy Act 1992  
 EPA WaterSense®  
 California Energy Commission (CEC)  
 ADA  
 ICC/ANSI A117.1  
 CSA B651  
 OBC

## Technical Information

Installation Type:	Wall-hung
Flush Type:	Siphon
Flush Rate:	1.0 or 1.6 gpf (3.8 or 6 lpf)
Bowl Shape:	Elongated
Seat-Mounting Holes:	5-1/2" (140 mm)
Waste Outlet:	Wall
Trapway Size:	2-1/8" (54 mm)
Trapway Type:	Concealed
Water Surface Size:	11" x 8-1/4" (279 mm x 210 mm)
Rim to Water Surface:	5-13/16" (148 mm)

## Pressure/Fixture Supply Requirements

Minimum Flowing Pressure:	25 psi (172.4 kPa)
Minimum Flow Rate:	25 gpm (94.6 l/min)

## Material

- Vitreous china

## Technology

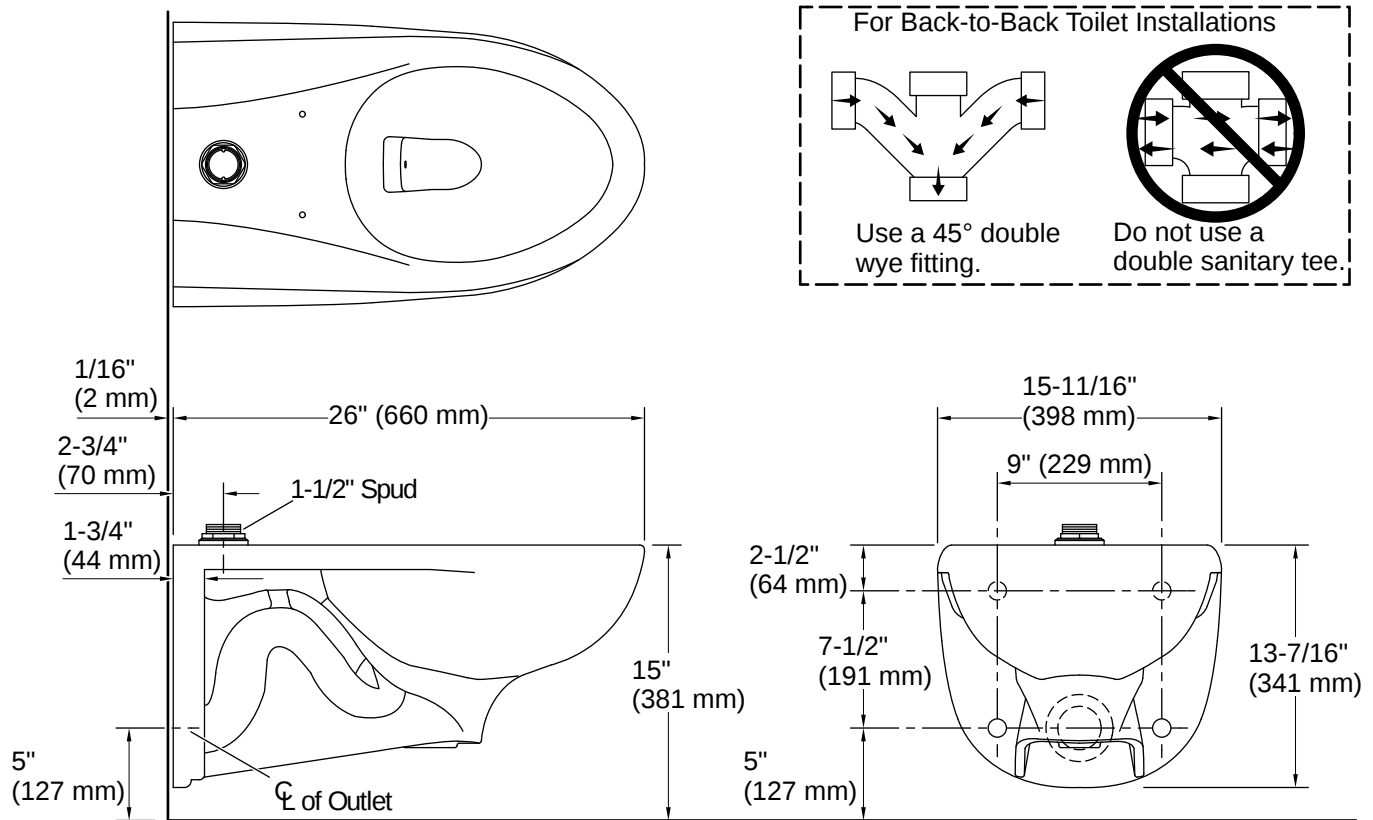
- Improved flush for toilet seat cover removal
- Re-engineered for strong flush performance in buildings with lower water pressure or flow
- Cast-on putty plate resists breakage
- New design eliminates gas leaks, splashing and paper shredding

## Warranty

See website for detailed warranty information.

KOHLER® One-Year Limited Warranty





## Installation

- Wall-mount
- This product replaces K-4325
- This product is not designed or intended for bariatric use

## Installation Notes

*Install this product according to the installation instructions.*

For back-to-back toilet installations: Use only a 45° double wye fitting.

Refer to manufacturer's instructions and local codes for flushometer requirements.

Ensure valve is braced properly.

Ensure pressure and flow are correct.

Product dimensions are nominal and may vary per ASME A112.19.2 tolerances.

This product should be used with a WaterSense labeled counterpart with the same rated flush volume to ensure the complete system meets the requirements of this specification for water efficiency and performance.

ADA, OBC, CSA B651 compliant when installed to the specific requirements of these regulations.

Plumbing codes may require elongated toilets and elongated, open-front seats in public bathrooms.

Accessibility standards may require controls to be located on the open side of the toilet.

