

Bellwether® | K-838

60" x 30-1/4" alcove bath, right drain

Features

- Clean lines and streamlined style add contemporary appeal to any bathroom
- 14" apron height for easy entry and exit
- Standard size simplifies remodeling
- Integral flange helps prevent water from seeping behind wall and simplifies alcove installation
- Safeguard® slip-resistant surface provides excellent traction underfoot
- Wide ledges for extra storage space
- Integral apron
- Integral lumbar support



Sustainability



Available Colors/Finishes

Color tiles intended for reference only.

- | | |
|----|-------------|
| 0 | White |
| 96 | Biscuit |
| 17 | Teal |
| 34 | Fresh Green |
| 42 | Aspen Green |



Codes/Standards

ADA compliant when installed to the specific requirements of these regulations.



ASME A112.19.1/CSA B45.2
ASTM F462
ADA
ICC/ANSI A117.1

Technical Information

All product dimensions are nominal.

Drain Location:	Right
Drain Hole Diameter:	2-3/16" (56 mm)
Minimum Flat for Door:	2-5/8" (66 mm)
Basin Area, Bottom:	48-3/4" x 19-5/16" (1238 mm x 491 mm)
Basin Area, Top:	54-11/16" x 21-3/16" (1389 mm x 538 mm)
Water Depth:	9" (229 mm)
Water Capacity:	32.6 gal (123.4 L)
Minimum Floor Load:	52 lbs/ft ²
Weight:	310 lbs (140.6 kg)

Material

- KOHLER® enameled cast iron

Recommended Products/Accessories

- K-23726 Drain treatment
- K-7213 Cable bath drain with PVC tubing
- K-7214 Cable bath drain, less PVC tubing
- K-706007-L Sliding bath door, 62" H x 56-5/8 - 59-5/8" W, with 3/8" thick Crystal Clear glass
- K-23725 Cast iron cleaner
- K-706000-D3 Sliding bath door, 62" H x 56-5/8 - 59-5/8" W, with 1/4" thick Frosted glass
- K-706000-L 62" H sliding bath door with 1/4"-thick glass
- K-706003-L Sliding bath door, 62" H x 56-5/8 - 59-5/8" W, with 3/8" thick Crystal Clear glass
- K-706004-D3 Sliding bath door, 62" H x 56-5/8 - 59-5/8" W, with 1/4" thick Frosted glass
- K-706004-L Sliding bath door, 62" H x 56-5/8 - 59-5/8" W, with 1/4" thick Crystal Clear glass
- K-7259 Brass toe tap bath drain

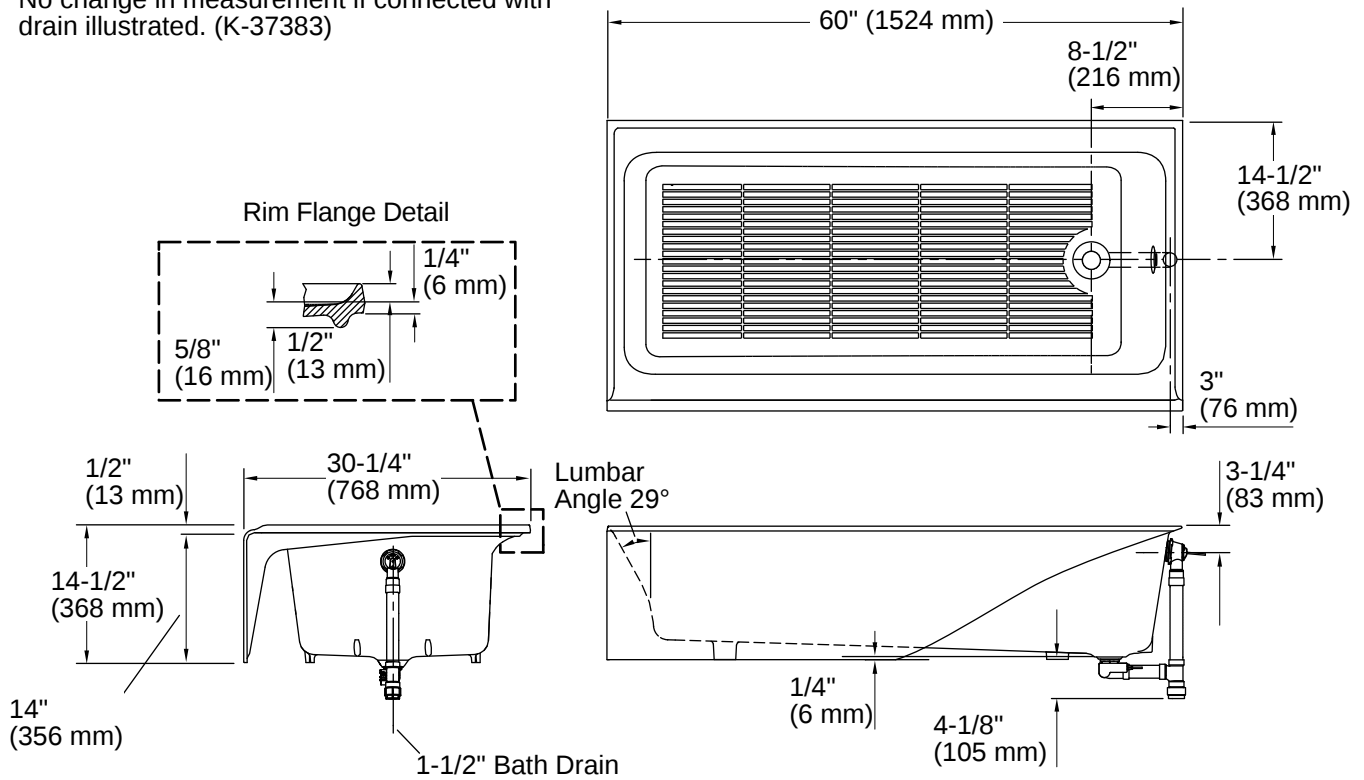
Warranty

See website for detailed warranty information.

KOHLER® Enameled Cast Iron Bath and Shower Base Lifetime Limited Warranty



No change in measurement if connected with drain illustrated. (K-37383)



Installation

- Right drain
- Alcove
- Alcove

Installation Notes

Install this product according to the installation instructions.

Measure your actual product for rough-in details.

The hot water supply should be 70% of the capacity of the bath or greater. Installations will vary.

ADA compliant when installed to the specific requirements of these regulations.

