



# Triton® Bowe® | K-838T60-4A

Service sink faucet

## Features

- 8" (203 mm) center
- 8-7/8" (225 mm) wall-to-spout outlet with wall brace and pail hook
- 1/4-turn full brass ceramic valve
- 13.5 gal/min (51 l/min) flow rate at 60 psi (4.1 bar)
- 2-7/16" vandal-resistant metal lever handles
- Threaded spout for hose connection
- Atmospheric vacuum breaker to prevent back flow (not intended for continuous pressure)
- Integral supply stops with lock key for easy and convenient access
- Drain sold separately



## Available Colors/Finishes

*Color tiles intended for reference only.*

- CP Polished Chrome



1-800-4KOHLER (1-800-456-4537)  
Kohler Co. reserves the right to make revisions without notice to product specifications.  
For the most current specification sheet, go to [www.kohler.com](http://www.kohler.com) USA or [www.kohler.ca](http://www.kohler.ca) Canada.  
4-15-2026 5:10 - US-CA

THE BOLD LOOK  
OF **KOHLER**®

---

## Codes/Standards

ADA, OBC, CSA B651 compliant when installed to the specific requirements of these regulations.

ADA   CSA B651   OBC

ASME A112.18.1/CSA B125.1

ADA

ICC/ANSI A117.1

CSA B651

OBC

---

## Technical Information

All product dimensions are nominal.

### Handle

Handle Style/ Type:                      Lever

### Spout

Spout Reach:                                8-7/8" (225 mm)

### Flow Rate

Faucet Flow Rate:                        13.5 gpm (51.1 l/min)

---

## Valves

Included Valves:                          Ceramic disc, Volume Control

---

## Material

- Solid-brass construction with thick chrome plating for rough commercial applications
- 

## Recommended Products/Accessories

K-23723 Faucet cleaner

---

## Warranty

See website for detailed warranty information.

KOHLER® One-Year Limited Warranty

---

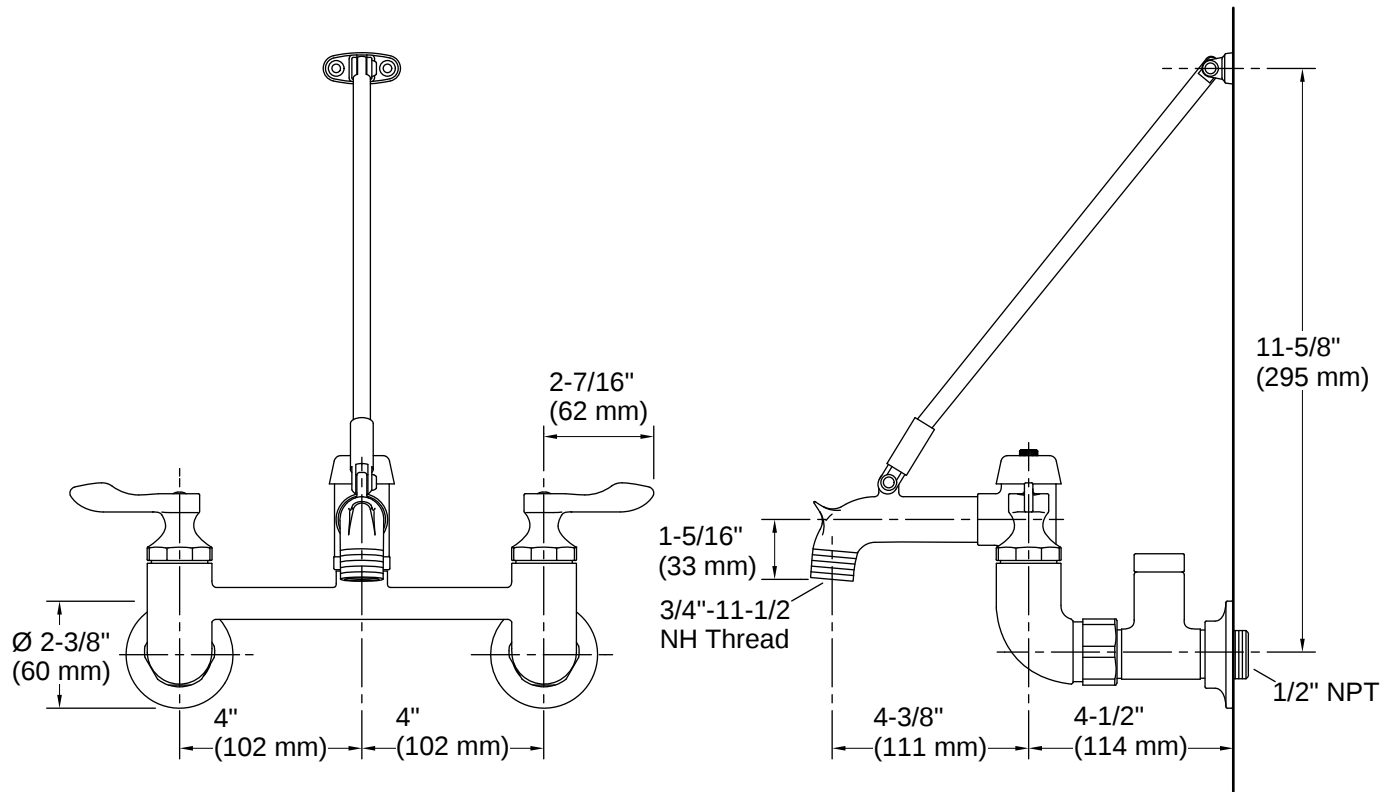


1-800-4KOHLER (1-800-456-4537)

Kohler Co. reserves the right to make revisions without notice to product specifications.

For the most current specification sheet, go to [www.kohler.com](http://www.kohler.com) USA or [www.kohler.ca](http://www.kohler.ca) Canada.

4-15-2026 5:10 - US-CA



## Installation

- Eccentric inlet shanks for easy installation

## Installation Notes

*Install this product according to the installation instructions.*

ADA compliant for faucet handles only

ADA, OBC, CSA B651 compliant when installed to the specific requirements of these regulations.

