



# Triton® Bowe® | K-820T70-5AFA

Utility sink faucet

## Features

- 8" (203 mm) widespread faucet holes
- Swivel/rigid gooseneck spout
- 1/4-turn full brass ceramic valve
- 1.8 gpm (6.8 lpm) maximum flow rate at 60 psi (4.14 bar)
- Vandal-resistant aerator
- 4-1/16" vandal-resistant metal wristblade lever handles
- Drain sold separately



## Available Colors/Finishes

*Color tiles intended for reference only.*

- CP Polished Chrome



1-800-4KOHLER (1-800-456-4537)  
Kohler Co. reserves the right to make revisions without notice to product specifications.  
For the most current specification sheet, go to [www.kohler.com](http://www.kohler.com) USA or [www.kohler.ca](http://www.kohler.ca) Canada.  
4-15-2026 4:22 - US-CA

THE BOLD LOOK  
OF **KOHLER**®

## Codes/Standards

ADA, OBC, CSA B651 compliant when installed to the specific requirements of these regulations.

ADA CSA B651 OBC

ASME A112.18.1/CSA B125.1  
NSF/ANSI/CAN 372  
NSF/ANSI/CAN 61  
DOE - Energy Policy Act 1992  
California Energy Commission (CEC)  
NSF/ANSI/CAN 61|NSF/ANSI/CAN 372  
ADA  
ICC/ANSI A117.1  
CSA B651  
OBC

## Warranty

See website for detailed warranty information.

KOHLER® One-Year Limited Warranty

## Technical Information

All product dimensions are nominal.

### Handle

Handle Style/ Type: Lever

### Spout

Spout Reach: 5-1/8" (130 mm)

### Flow Rate

Faucet Flow Rate: 1.75 gpm (6.6 l/min)

## Valves

Included Valves: Ceramic disc, Volume Control

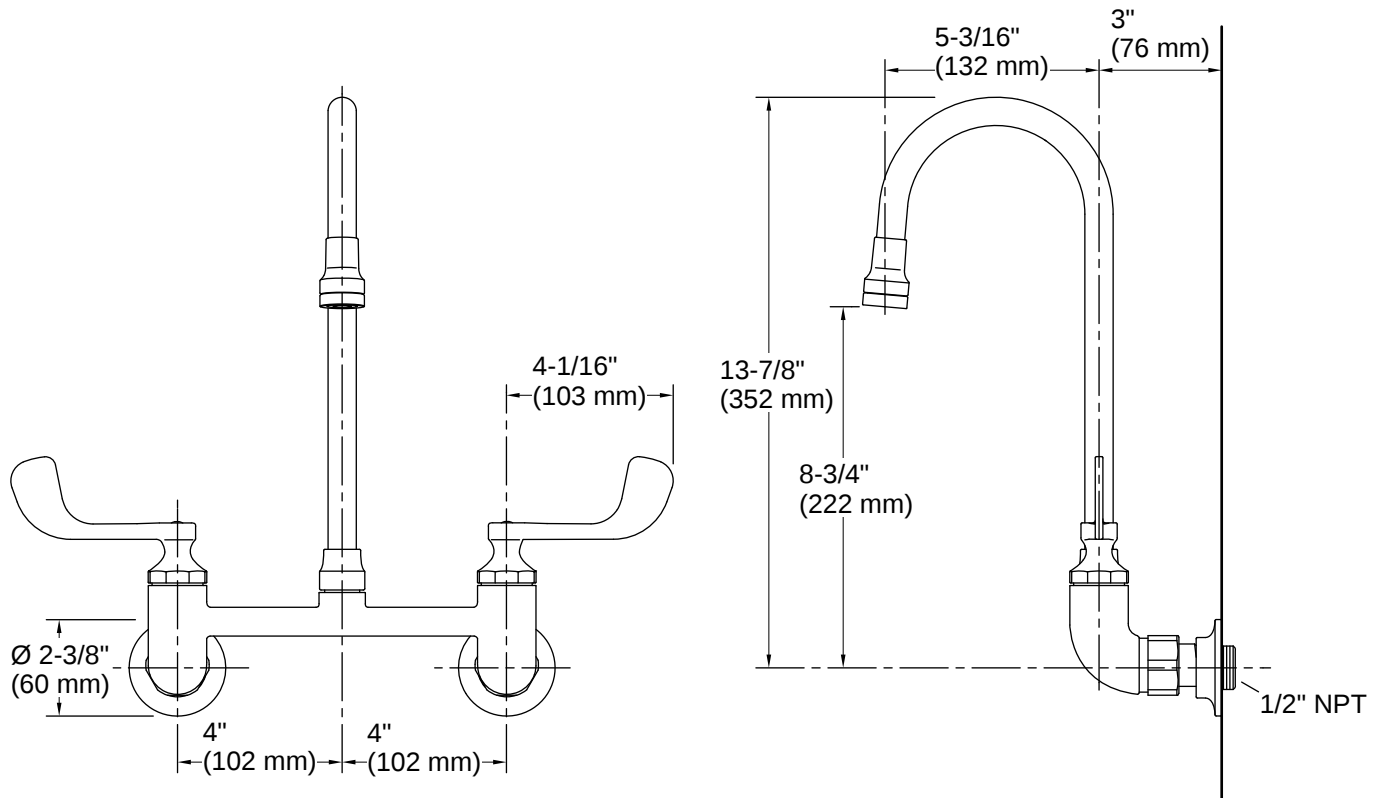
## Material

- Solid-brass construction with thick chrome plating for rough commercial applications

## Recommended Products/Accessories

K-23723 Faucet cleaner





## Installation

- Eccentric inlet shanks for easy installation

## Installation Notes

*Install this product according to the installation instructions.*

ADA compliant for handles only.

ADA compliant for faucet handles only

ADA, OBC, CSA B651 compliant when installed to the specific requirements of these regulations.



1-800-4KOHLER (1-800-456-4537)

Kohler Co. reserves the right to make revisions without notice to product specifications.

For the most current specification sheet, go to [www.kohler.com](http://www.kohler.com) USA or [www.kohler.ca](http://www.kohler.ca) Canada.

4-15-2026 4:22 - US-CA