



Triton® Bowe® | K-820T70-4AFA

Sink faucet

Features

- 8" (203 mm) center
- Swivel/rigid gooseneck spout
- 1/4-turn full brass ceramic valve
- 1.8 gpm (6.8 lpm) maximum flow rate at 60 psi (4.14 bar)
- Vandal-resistant aerator
- 2-7/16" vandal-resistant metal lever handles
- Drain sold separately



Available Colors/Finishes

Color tiles intended for reference only.

- CP Polished Chrome



1-800-4KOHLER (1-800-456-4537)
Kohler Co. reserves the right to make revisions without notice to product specifications.
For the most current specification sheet, go to www.kohler.com USA or www.kohler.ca Canada.
4-15-2026 3:41 - US-CA

THE BOLD LOOK
OF **KOHLER**®

Codes/Standards

ADA, OBC, CSA B651 compliant when installed to the specific requirements of these regulations.

ADA CSA B651 OBC

ASME A112.18.1/CSA B125.1
NSF/ANSI/CAN 372
NSF/ANSI/CAN 61
DOE - Energy Policy Act 1992
California Energy Commission (CEC)
NSF/ANSI/CAN 61|NSF/ANSI/CAN 372
ADA
ICC/ANSI A117.1
CSA B651
OBC

Warranty

See website for detailed warranty information.

KOHLER® One-Year Limited Warranty

Technical Information

All product dimensions are nominal.

Handle

Handle Style/ Type: Lever

Spout

Spout Reach: 5-1/8" (130 mm)

Flow Rate

Faucet Flow Rate: 1.75 gpm (6.6 l/min)

Valves

Included Valves: Ceramic disc, Volume Control

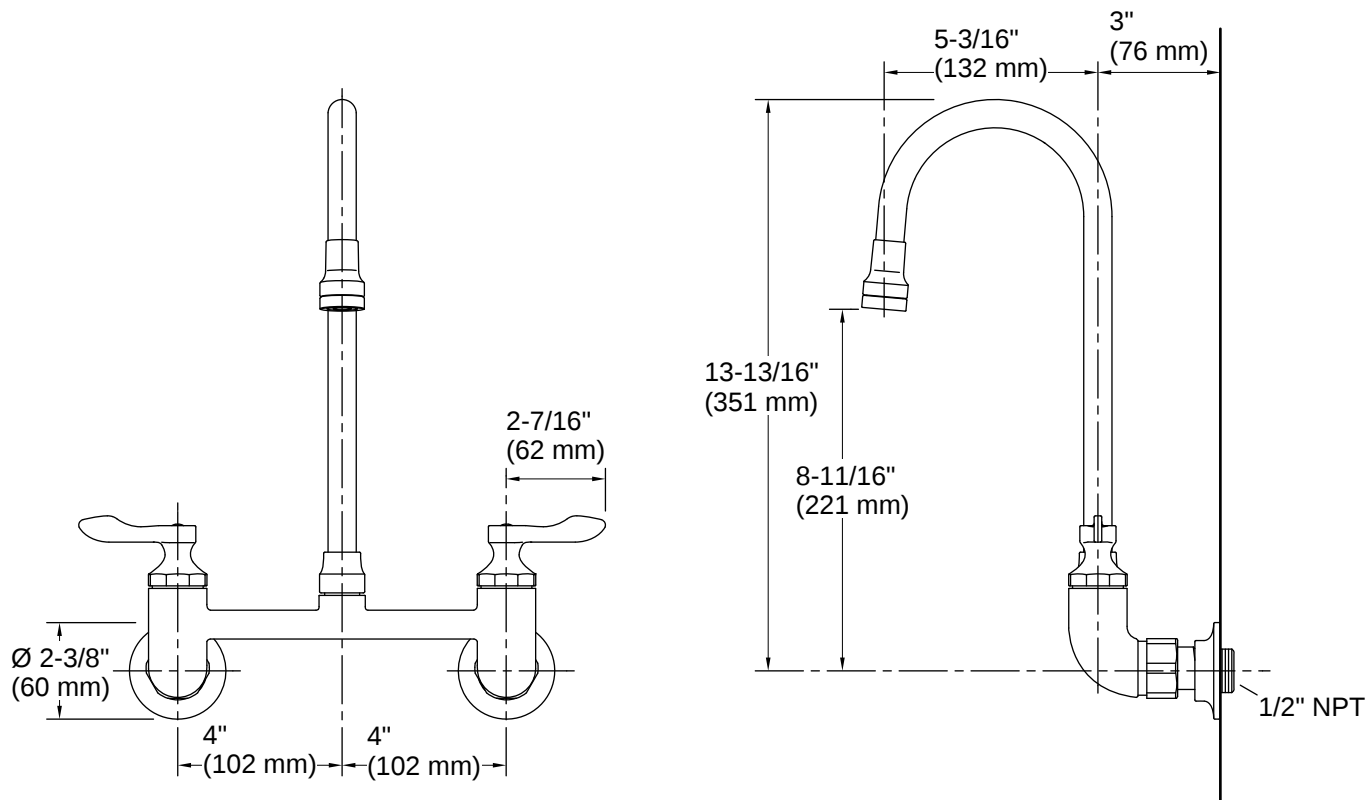
Material

- Solid-brass construction with thick chrome plating for rough commercial applications

Recommended Products/Accessories

K-23723 Faucet cleaner





Installation

- Eccentric inlet shanks for easy installation

Installation Notes

Install this product according to the installation instructions.

ADA compliant for handles only.

ADA, OBC, CSA B651 compliant when installed to the specific requirements of these regulations.

