



Cairn® | K-8206

33-1/2" undermount single-bowl kitchen sink

Features

- 36" minimum base cabinet width
- Single bowl
- 9-1/2" (241 mm) depth provides generous workspace
- Offset drain increases workspace in the sink and storage space underneath
- Includes sink rack
- Includes cutout templates and installation clips
- Matte finish offers rich, dimensional color



Available Colors/Finishes

Color tiles intended for reference only.

- CM6 Matte White
- CM7 Matte Graphite
- CM1 Matte Black
- CM2 Matte Brown
- CM3 Matte Taupe
- CM4 Matte Grey



1-800-4KOHLER (1-800-456-4537)
Kohler Co. reserves the right to make revisions without notice to product specifications.
For the most current specification sheet, go to www.kohler.com USA or www.kohler.ca Canada.
4-15-2026 2:36 - US-CA

THE BOLD LOOK
OF **KOHLER**®

Codes/Standards

CSA B45.5/IAPMO Z124

Technical Information

All product dimensions are nominal.

Drain Hole Diameter:	3-7/8" (98 mm)
Minimum Base Cabinet Width:	36" (914 mm)
Basin Configuration:	Single Bowl
Basin Length:	30-9/16" (777 mm)
Basin Width:	15-3/8" (391 mm)
Basin Depth:	9-1/2" (241 mm)

Material

- KOHLER Neoroc® composite is durable and built to withstand day-to-day cleaning tasks
 - Solid color throughout the sink
 - Heat-resistant up to 750°F
 - Scratch-, stain-, chip-, and thermal-shock-resistant
-

Recommended Products/Accessories

K-23730 Neoroc cleaner

K-23726 Drain treatment

K-11352 Disposal flange with stopper

K-8801 Sink drain and strainer with tailpiece

K-8799 Sink drain and strainer basket, less tailpiece

K-5192 Sink rack

K-9000 Adjustable P-trap with tubing outlet, 1-1/2" x 1-1/2"

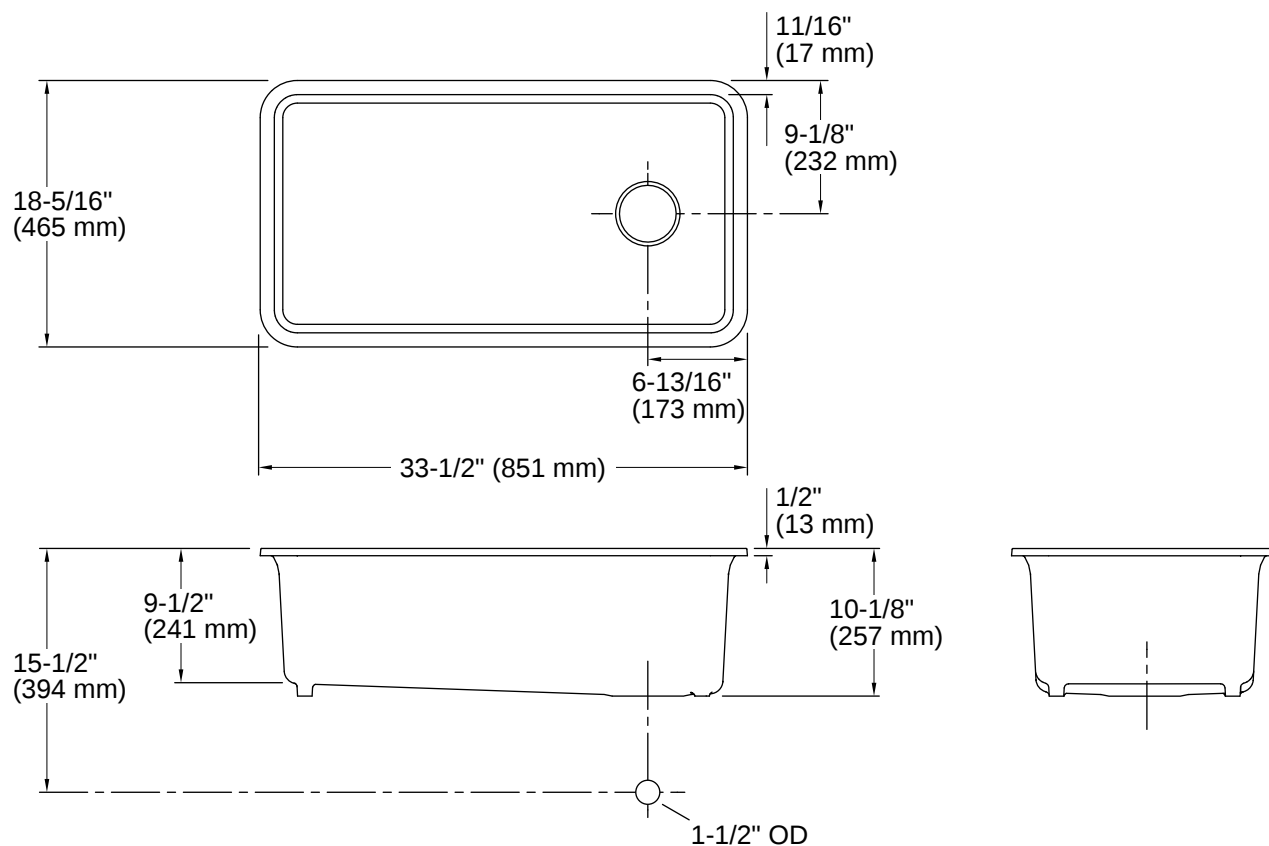
Warranty

See website for detailed warranty information.

KOHLER® Neoroc® Sinks Lifetime Limited Warranty



1-800-4KOHLER (1-800-456-4537)
Kohler Co. reserves the right to make revisions without notice to product specifications.
For the most current specification sheet, go to www.kohler.com USA or www.kohler.ca Canada.
4-15-2026 2:36 - US-CA



Installation

- Undermount
- Easy to install in a one-person, single-day project

Installation Notes

Install this product according to the installation instructions.

Allow a minimum of 2" (51 mm) clearance around the sink rim for clip attachment.

