



Kennon® | K-8185-1

33" top-/undermount double-bowl kitchen sink

Features

- Double-equal bowls
- 9" (229 mm) depth provides generous workspace
- Includes one faucet hole and option for three additional holes for knockout with ball-peen hammer and punch
- Includes sink rack
- Optional K-5186 bottom basic rack(sold separately)
- Matte finish offers rich, dimensional color



Available Colors/Finishes

Color tiles intended for reference only.

- CM1 Matte Black
- CM4 Matte Grey



1-800-4KOHLER (1-800-456-4537)
Kohler Co. reserves the right to make revisions without notice to product specifications.
For the most current specification sheet, go to www.kohler.com USA or www.kohler.ca Canada.
4-15-2026 4:7 - US-CA

THE BOLD LOOK
OF **KOHLER**®

Codes/Standards

CSA B45.5/IAPMO Z124

Technical Information

All product dimensions are nominal.

Number of Deck Holes:	3
Drain Hole Diameter:	3-7/8" (98 mm)
Minimum Base Cabinet Width:	36" (914 mm)
Basin Configuration:	Equal Bowls
Left Basin Length:	14-9/16" (370 mm)
Left Basin Width:	16-13/16" (427 mm)
Left Basin Depth:	9" (229 mm)
Right Basin Length:	14-13/16" (377 mm)
Right Basin Width:	17-11/16" (450 mm)
Right Basin Depth:	9" (229 mm)

Material

- KOHLER Neoroc® composite is durable and built to withstand day-to-day cleaning tasks
 - Solid color throughout the sink
 - Heat-resistant up to 750°F
 - Scratch-, stain-, chip-, and thermal-shock-resistant
-

Recommended Products/Accessories

K-23726 Drain treatment

K-23730 Neoroc cleaner

K-8801 Sink drain and strainer with tailpiece

K-8799 Sink drain and strainer basket, less tailpiece

Warranty

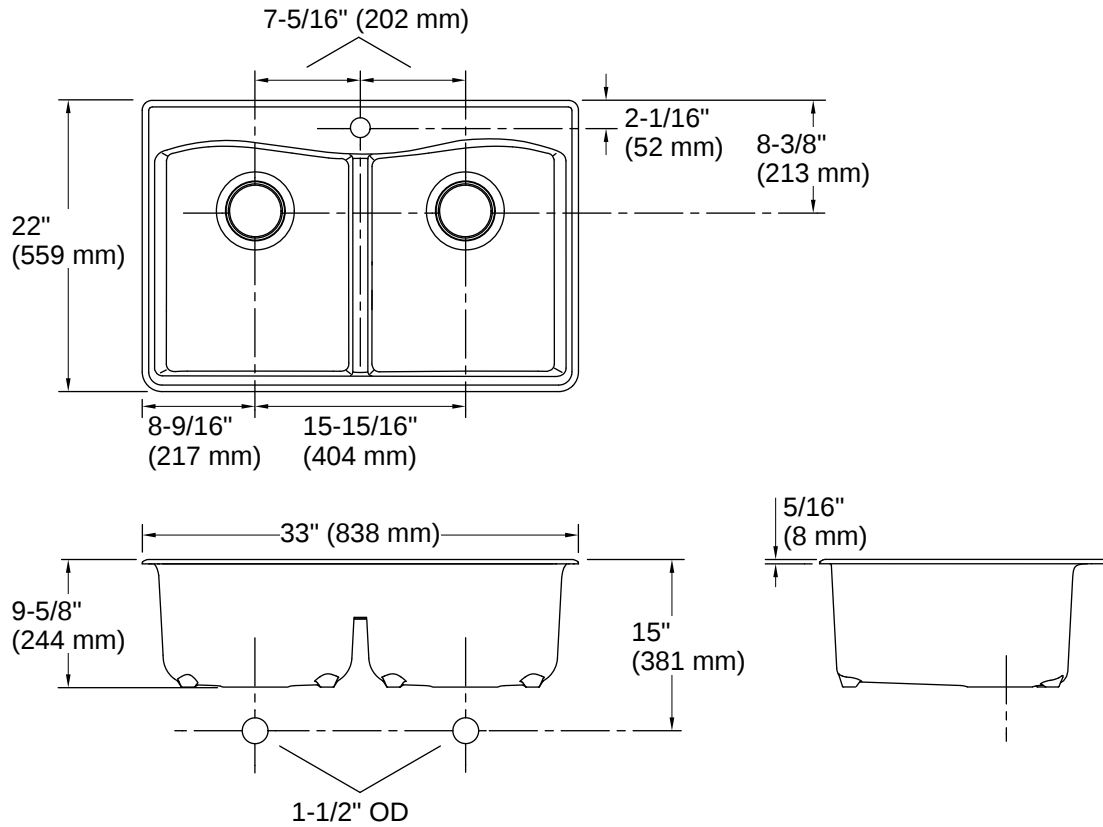
See website for detailed warranty information.

KOHLER® Neoroc® Sinks Lifetime Limited Warranty



1-800-4KOHLER (1-800-456-4537)

Kohler Co. reserves the right to make revisions without notice to product specifications.
For the most current specification sheet, go to www.kohler.com USA or www.kohler.ca Canada.
4-15-2026 4:7 - US-CA



Installation

- 36" minimum base cabinet width for undermount or top-mount installation
- Cutout templates included
- Top-mount or undermount

Installation Notes

Install this product according to the installation instructions.

