

Rêve® | K-817

67" x 31-1/2" drop-in/undermount bath

Features

- Comfort Depth® design offers a convenient and low step-over height while retaining the depth of a standard 21" bath
- Integral lumbar support on both ends
- Safeguard® slip-resistant surface provides excellent traction underfoot
- Slotted overflow allows for deep soaking
- Coordinates with other products in the Rêve collection



Sustainability



Available Colors/Finishes

Color tiles intended for reference only.

■ 0 White



Codes/Standards

ASME A112.19.1/CSA B45.2
ASTM F462

Technical Information

All product dimensions are nominal.

Drain Location:	Center
Drain Hole Diameter:	2-1/4" (57 mm)
Minimum Flat for Door:	1" (25 mm)
Basin Area, Bottom:	49" x 22" (1245 mm x 559 mm)
Basin Area, Top:	62-1/2" x 24-3/4" (1588 mm x 629 mm)
Water Depth:	15-1/4" (387 mm)
Water Capacity:	75 gal (283.9 L)
Minimum Floor Load:	78 lbs/ft ²
Weight:	365 lbs (165.6 kg)
Cutout:	Drop-in, 65-1/2" x 30" (1664 mm x 762 mm)

Material

- KOHLER® enameled cast iron
- Painted exterior surface smoothness can vary from product to product

Recommended Products/Accessories

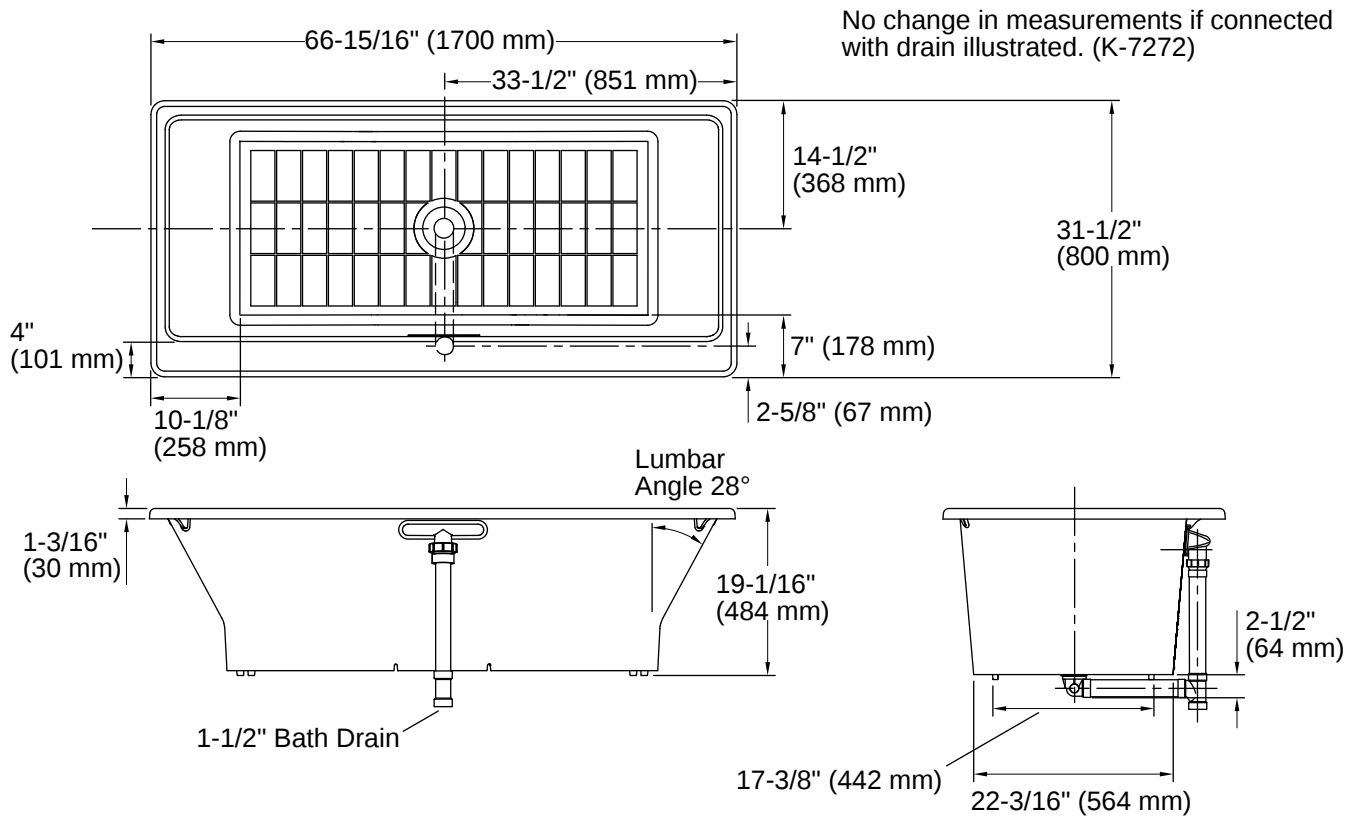
K-136 Undermount kit for select 32" Rêve bath and BubbleMassage™ air bath models
K-1179 Tiling-in bead, 180" length
K-23726 Drain treatment
K-23725 Cast iron cleaner

Required Products/Accessories

- K-7271 Slotted overflow brass bath drain
- or
- K-7272 Slotted overflow bath drain



1-800-4KOHLER (1-800-456-4537)
Kohler Co. reserves the right to make revisions without notice to product specifications.
For the most current specification sheet, go to www.kohler.com USA or www.kohler.ca Canada.
4-15-2026 4:52 - US-CA



Installation

- Center drain
- Drop-in or undermount
- Requires Clearflo slotted overflow bath drain (sold separately)

Installation Notes

Install this product according to the installation instructions.

Measure your actual product for rough-in details.

The hot water supply should be 70% of the capacity of the bath or greater. Installations will vary.

Kit is required for undermount installations (sold separately).

To clear the overflow side bath rim, a minimum 7" (178 mm) bath spout is recommended.

To clear the end wall bath rim, a minimum 10" (254 mm) bath spout is recommended.

