



Maxstow® | K-81148

20" W x 40" H medicine cabinet

Features

- Innovative staggered shelf layout fits tall and short items
- Deep shelves hold large containers
- Low-profile design hugs the wall for a clean look
- Mirror-front door with reflective mirrored interior
- Four fixed shelves
- Two-way adjustable hinges with 108° opening capability for easy cabinet access



Available Colors/Finishes

Color tiles intended for reference only.

- DA1 Dark Anodized Aluminum



1-800-4KOHLER (1-800-456-4537)
Kohler Co. reserves the right to make revisions without notice to product specifications.
For the most current specification sheet, go to www.kohler.com USA or www.kohler.ca Canada.
4-15-2026 5:34 - US-CA

THE BOLD LOOK
OF **KOHLER**®

Codes/Standards

None Applicable

Technical Information

All product dimensions are nominal.

Wood Type: Medium-density fiberboard

Mirror Type: Polished Edge

Cutout

Depth: 3-3/16" (81 mm)

Material

- Rustproof aluminum
-

Recommended Products/Accessories

K-23723 Faucet cleaner

Warranty

See website for detailed warranty information.

KOHLER® One-Year Limited Warranty

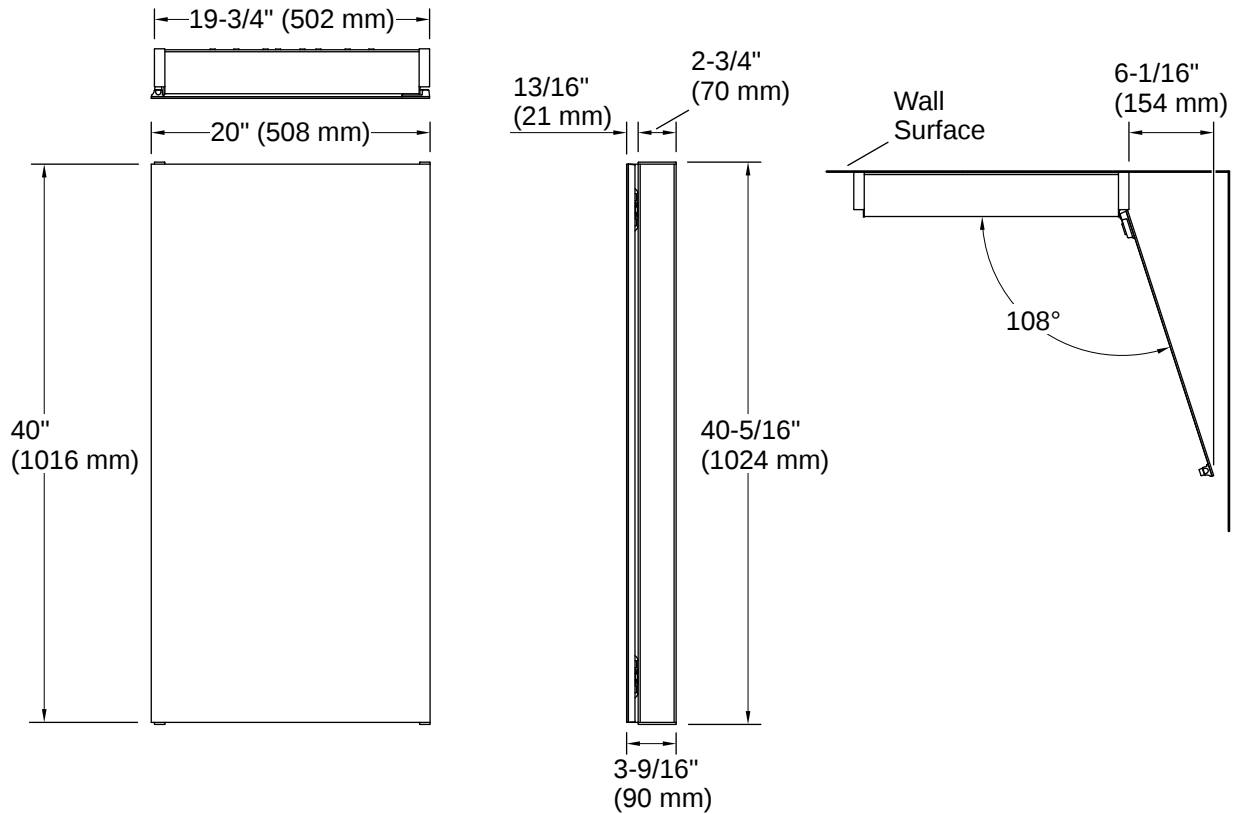


1-800-4KOHLER (1-800-456-4537)

Kohler Co. reserves the right to make revisions without notice to product specifications.

For the most current specification sheet, go to www.kohler.com USA or www.kohler.ca Canada.

4-15-2026 5:34 - US-CA



Installation

- Easy surface-mount installation—no wall cutting
- Reversible: install as left- or right-hinge swing
- Includes mounting hardware
- Includes reversible side panel kit (white / grey) to match your decor

Installation Notes

Install this product according to the installation instructions.

When determining the height of the cabinet, ensure the mirrored door will clear all obstacles (such as a faucet). A minimum distance of 3" (76 mm) is required.

This cabinet is designed for either right or left door swing. Check for obstructions.

For surface-mount, use anchors (not provided) rated for the loaded weight of this product.

