



# Maxstow® | K-81144-SLE

17" x 24" lighted medicine cabinet

## Features

- Side-integrated LED lighting provides optimally bright bathroom vanity lighting for grooming tasks
- Brightness at 1650 lumens ensures consistent lighting with no hot spots or dark spots. Produces 80 lumens per watt
- Approx. 3000 Kelvin light appearance delivers a neutral light ideal for overall bathroom aesthetics as well as tasks
- Minimum 90 CRI (color rendering index) lets you see yourself in the truest light for makeup application, grooming, and skin care
- Integrated LED bulbs have an estimated life expectancy of 50,000 hours
- Compatible with wall-mount LED dimmers (not included), which allow you to control lighting from multiple locations in the space
- Innovative staggered shelf layout fits tall and short items
- Three fixed shelves—one full width and two partial
- Internal shelf features electrical outlet for powering small devices such as toothbrushes or razors
- Holds optional Moxie® speaker charging dock (K-81106); speaker and charging dock sold separately
- Low-profile design hugs the wall for a clean look
- Front mirror, inside door mirror, and back panel mirror provide superior visibility to make grooming easier
- Two-way adjustable hinges with 108° opening capability for easy cabinet access



## Available Colors/Finishes

*Color tiles intended for reference only.*

- DA1 Dark Anodized Aluminum



1-800-4KOHLER (1-800-456-4537)  
Kohler Co. reserves the right to make revisions without notice to product specifications.  
For the most current specification sheet, go to [www.kohler.com](http://www.kohler.com) USA or [www.kohler.ca](http://www.kohler.ca) Canada.  
4-15-2026 6:8 - US-CA

THE BOLD LOOK  
OF **KOHLER**

---

## Codes/Standards

CSA C22.2 No. 0  
CA Title 24 JA8

---

## Technical Information

*All product dimensions are nominal.*

Lighting Included:	Yes
Mirror Type:	Polished Edge
<b>Cutout</b>	
Depth:	3-7/8" (98 mm)

---

## Material

- Rustproof aluminum
- 

## Required Electrical Service

One circuit required, protected with Class A Ground-Fault Circuit-Interrupter (GFCI). Outside North America, this device may be known as a Residual Current Device (RCD).

Lights: 120 V, 5 A, 60 Hz

## Electrical Component Ratings

LED: 120 V, 5 A, 60 Hz, 1200 Lumens

---

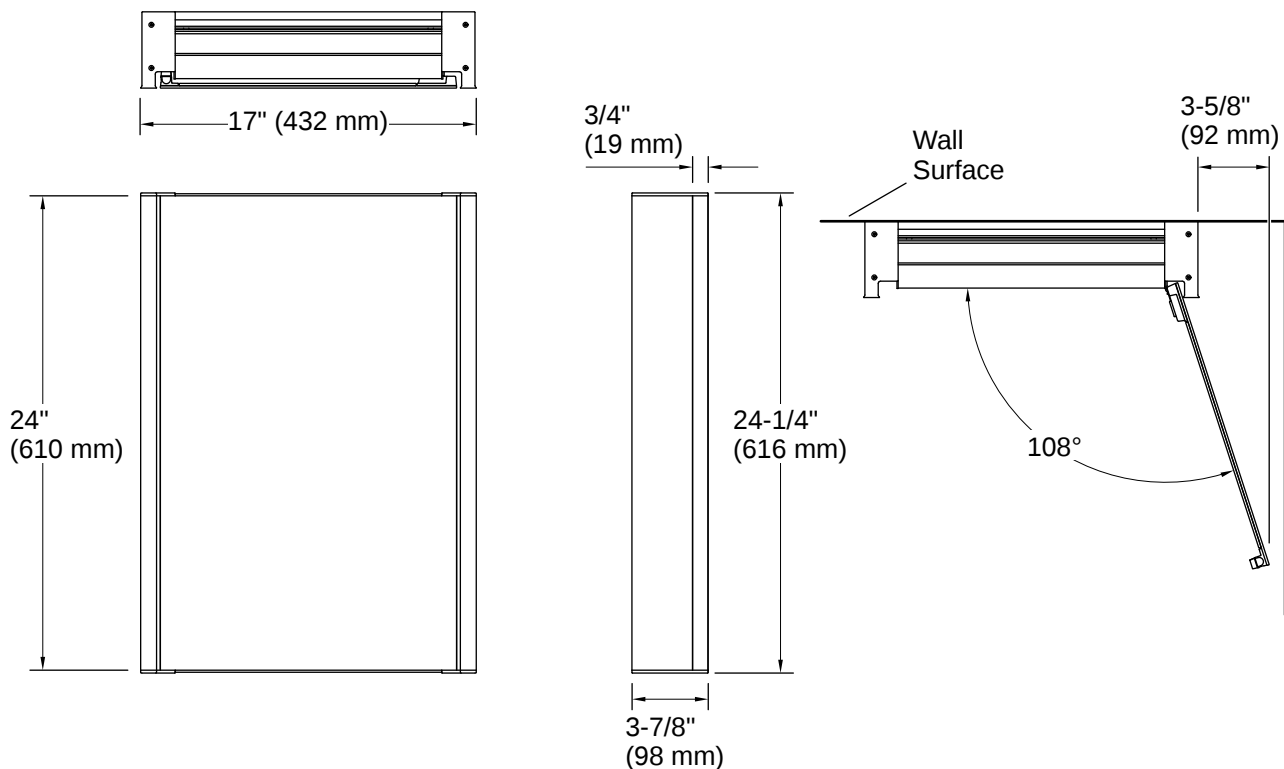
## Warranty

*See website for detailed warranty information.*

KOHLER® One-Year Limited Warranty



1-800-4KOHLER (1-800-456-4537)  
Kohler Co. reserves the right to make revisions without notice to product specifications.  
For the most current specification sheet, go to [www.kohler.com](http://www.kohler.com) USA or [www.kohler.ca](http://www.kohler.ca) Canada.  
4-15-2026 6:8 - US-CA



## Installation

- Easy surface-mount installation—no wall cutting
- Reversible: install as left- or right-hinge swing
- Includes mounting hardware

## Installation Notes

*Install this product according to the installation instructions.*

