

K-8108

Pneumatic conversion kit for in-wall tank

Features

- For use with K-28829 in-wall tank and carrier system



Sustainability



Codes/Standards

ASME A112.19.5/CSA B45.15

Technical Information

Flush Type: Pneumatic
Flush Rate: 0.8 or 1.6 gpf (2.6 or 6.0 lpf)

Recommended Products/Accessories

K-23251-F Flush actuator plate
K-23252-F Dual-flush actuator plate for 2" x 4" in-wall tank and carrier system
K-78041 Dual-flush touchless actuator plate for 2" x 4" in-wall tank and carrier system

Required Products/Accessories

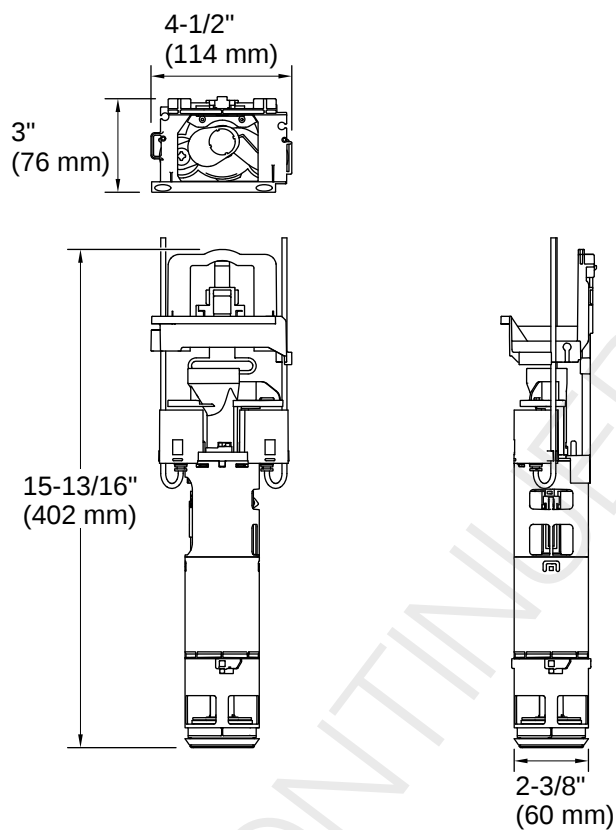
- K-28829 In-wall tank and carrier system
-

Warranty

See website for detailed warranty information.

KOHLER® One-Year Limited Warranty





Installation Notes

Install this product according to the installation instructions.

