



# Constellation™ | K-81030-BPW

60" wall-mount basin lavatory system

## Features

- Lavatory system offers contemporary styling for commercial applications
- Basin and trough slope design prevents water from splashing back on user
- Predrilled mounting holes for faucets and soap dispensers
- Drain strainers help prevent debris from entering drains
- Lavatory system available in your choice of Silestone® quartz or Corian® Solid Surface in a host of color options
- Silestone® quartz provides exceptional durability and stain resistance, making it easy to maintain
- Corian® Solid Surface has a nonporous surface to help prevent bacteria and mold growth
- Vandal-resistant locking doors on stainless steel shroud conceal pipes and swing open to provide easy below-deck access for maintenance
- Requires select Composed®, Kumin®, or Oblo® deck-mount faucet and soap dispenser bundles (sold separately)



## Sustainability



## Available Colors/Finishes

*Color tiles intended for reference only.*

- KCC Canvas
- KCD Designer White
- KCE Ash Concrete
- KCG Glacier White
- KCN Neutral Concrete
- KCR Arrow Root
- KCT Concrete
- KEB Et Bianco Cal
- KED DesertSilver
- KEG Et Cal Gold
- KEH Miami White
- KEP Pearl Jasmine
- KES Et Statuario
- KSD White Star
- KSG MoonWhite



1-800-4KOHLER (1-800-456-4537)  
 Kohler Co. reserves the right to make revisions without notice to product specifications.  
 For the most current specification sheet, go to [www.kohler.com](http://www.kohler.com) USA or [www.kohler.ca](http://www.kohler.ca) Canada.  
 4-15-2026 2:6 - US-CA

THE BOLD LOOK  
 OF **KOHLER**

---

## Codes/Standards

ADA, CSA B651 compliant when installed to the specific requirements of these regulations.

ADA CSA B651

IAPMO IGC 156  
ADA  
ICC/ANSI A117.1  
CSA B651

---

## Technical Information

With Overflow:	Yes
Drain Hole Diameter:	1-3/4" (44 mm)
Minimum Base Cabinet Width:	24" (610 mm)
Basin Configuration:	Equal Bowls

---

## Recommended Products/Accessories

K-181030-BB1 Touchless lavatory faucets and soap dispensers for Constellation™ lavatory system, 0.5 gpm

K-181030-BC1 Touchless lavatory faucets and soap dispensers for Constellation™ lavatory system, 0.5 gpm

K-181030-BK1 Touchless lavatory faucets and soap dispensers for Constellation™ lavatory system, 0.5 gpm

---

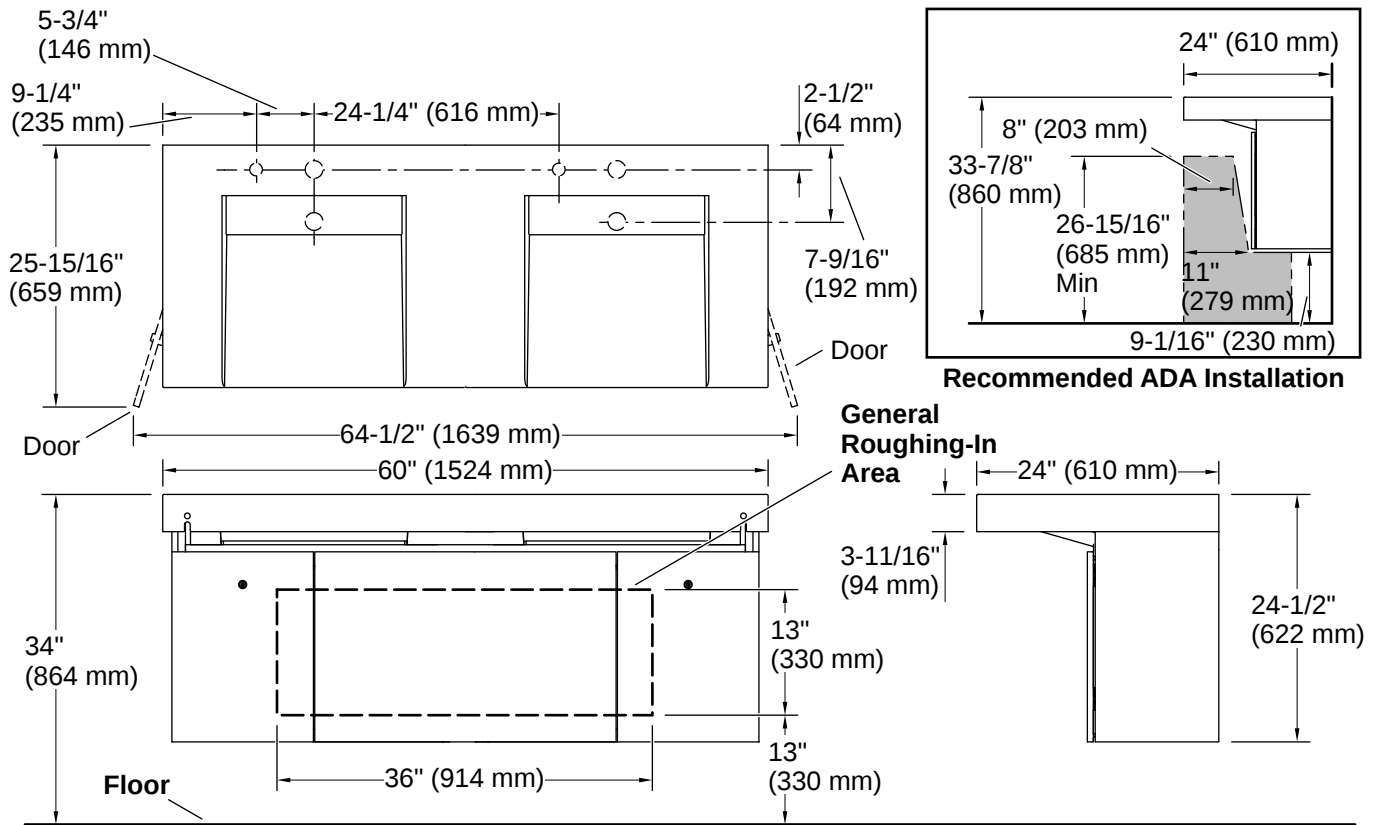
## Warranty

See [website](#) for detailed warranty information.

KOHLER® Constellation™ Lavatory System Limited Warranty



1-800-4KOHLER (1-800-456-4537)  
Kohler Co. reserves the right to make revisions without notice to product specifications.  
For the most current specification sheet, go to [www.kohler.com](http://www.kohler.com) USA or [www.kohler.ca](http://www.kohler.ca) Canada.  
4-15-2026 2:6 - US-CA



## Installation

- Wall-mount

## Installation Notes

*Install this product according to the installation instructions.*

Select the type of fastener based upon the wall material. Two 500 lb (227 kg) minimum load bearing fasteners are recommended. ADA, CSA B651 compliant when installed to the specific requirements of these regulations.

