

Triton® Bowe® | K-800T20-5ANL

0.5 gpm widespread bathroom sink faucet with laminar flow and wristblade handles, drain not included

Features

- Brass construction and valve bodies
- Three-hole installation for 8" to 16" centers
- Quarter-turn washerless ceramic disc valves
- Less drain and lift rod
- Vandal-resistant laminar outlet
- Wristblade Lever handles
- 0.5 gpm (1.9 lpm) maximum flow rate at 60 psi (4.14 bar)



Sustainability



Available Colors/Finishes

Color tiles intended for reference only.

- CP Polished Chrome



Codes/Standards

ADA, OBC, CSA B651 compliant when installed to the specific requirements of these regulations.

ADA CSA B651 OBC

ASME A112.18.1/CSA B125.1
NSF/ANSI/CAN 372
NSF/ANSI/CAN 61
DOE - Energy Policy Act 1992
NSF/ANSI/CAN 61|NSF/ANSI/CAN 372
ADA
ICC/ANSI A117.1
CSA B651
OBC

Technical Information

All product dimensions are nominal.

Handle

Handle Style/ Type: Lever

Spout

Spout Reach: 5-1/2" (140 mm)

Flow Rate

Faucet Flow Rate: 0.5 gpm (1.9 l/min)

Valves

Included Valves: Ceramic disc, Thermostatic Mixer

Recommended Products/Accessories

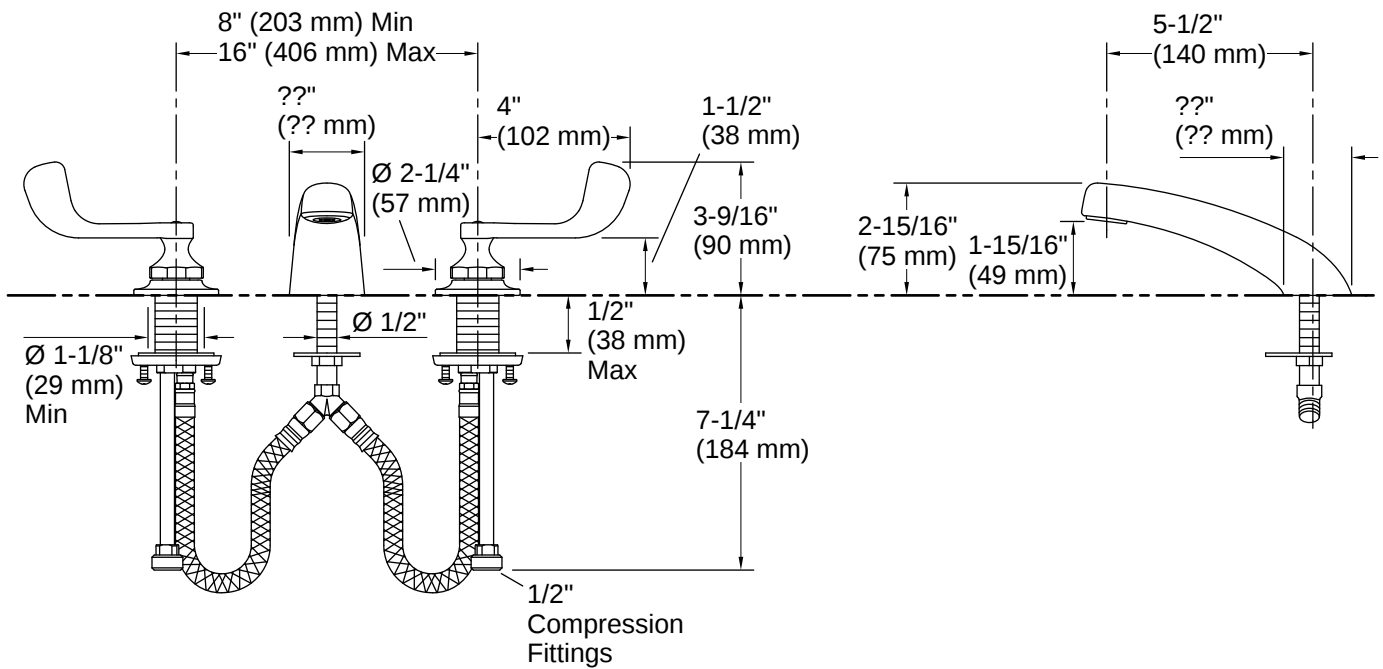
K-23723 Faucet cleaner

Warranty

See website for detailed warranty information.

KOHLER® One-Year Limited Warranty





Installation Notes

Install this product according to the installation instructions.

ADA compliant for handles only.
 ADA, OBC, CSA B651 compliant when installed to the specific requirements of these regulations.

