

## Triton® Bowe® | K-800T20-5AKA

1.0 gpm widespread bathroom sink faucet with aerated flow and wristblade handles, drain not included

### Features

- Brass construction and valve bodies
- Three-hole installation for 8" to 16" centers
- Quarter-turn washerless ceramic disc valves
- Less drain and lift rod
- Vandal-resistant aerated flow
- Wristblade Lever handles
- 1.0 gal/min (3.8 l/m) maximum flow rate at 60 psi (4.14 bar).



### Sustainability



### Available Colors/Finishes

*Color tiles intended for reference only.*

CP Polished Chrome



## Codes/Standards

ADA, OBC, CSA B651 compliant when installed to the specific requirements of these regulations.



ADA    CSA B651    OBC

ASME A112.18.1/CSA B125.1  
NSF/ANSI/CAN 372  
NSF/ANSI/CAN 61  
DOE - Energy Policy Act 1992  
EPA WaterSense®  
NSF/ANSI/CAN 61|NSF/ANSI/CAN 372  
ADA  
ICC/ANSI A117.1  
CSA B651  
OBC

## Technical Information

All product dimensions are nominal.

### Handle

Handle Style/ Type:                      Lever

### Spout

Spout Reach:                                5-1/2" (140 mm)

### Flow Rate

Faucet Flow Rate:                        1 gpm (3.8 l/min)

## Valves

Included Valve:                            Ceramic disc

## Recommended Products/Accessories

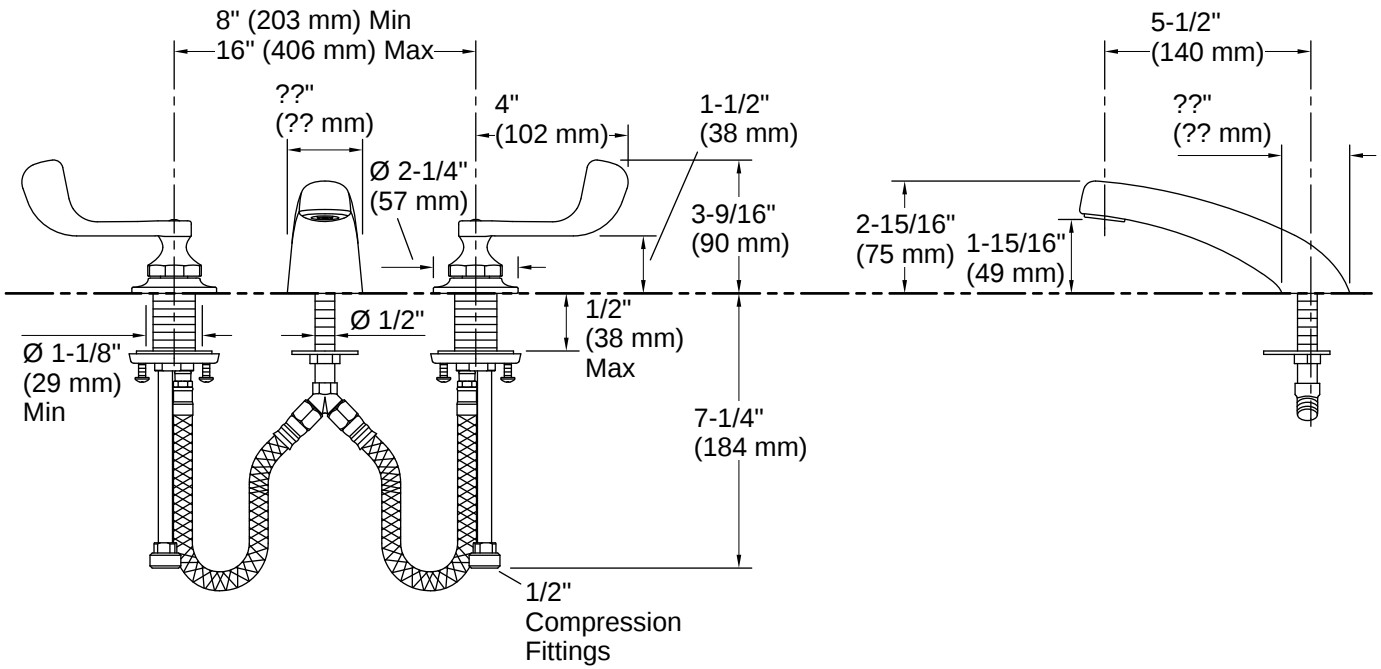
K-23723 Faucet cleaner

## Warranty

See website for detailed warranty information.

KOHLER® One-Year Limited Warranty





### Installation Notes

*Install this product according to the installation instructions.*

ADA compliant for handles only.  
 ADA, OBC, CSA B651 compliant when installed to the specific requirements of these regulations.

