



Triton® Bowe® | K-800T20-4ANA

0.5 gpm widespread bathroom sink faucet with aerated flow and lever handles, drain not included

Features

- Brass construction and valve bodies
- Three-hole installation for 8" to 16" centers
- Quarter-turn washerless ceramic disc valves
- Less drain and lift rod
- Vandal-resistant aerated flow
- Lever handles
- 0.5 gpm (1.9 lpm) maximum flow rate at 60 psi (4.14 bar)



Sustainability



1-800-4KOHLER (1-800-456-4537)
Kohler Co. reserves the right to make revisions without notice to product specifications.
For the most current specification sheet, go to www.kohler.com USA or www.kohler.ca Canada.
4-15-2026 3:12 - US-CA

THE BOLD LOOK
OF **KOHLER**®

Codes/Standards

ADA, OBC, CSA B651 compliant when installed to the specific requirements of these regulations.

ADA CSA B651 OBC

ASME A112.18.1/CSA B125.1
NSF/ANSI/CAN 372
NSF/ANSI/CAN 61
DOE - Energy Policy Act 1992
California Energy Commission (CEC)
NSF/ANSI/CAN 61|NSF/ANSI/CAN 372
ADA
ICC/ANSI A117.1
CSA B651
OBC

Technical Information

All product dimensions are nominal.

Handle

Handle Style/ Type: Lever

Spout

Spout Reach: 5-1/2" (140 mm)

Flow Rate

Faucet Flow Rate: 0.5 gpm (1.9 l/min)

Valves

Included Valves: Ceramic disc, Thermostatic Mixer

Recommended Products/Accessories

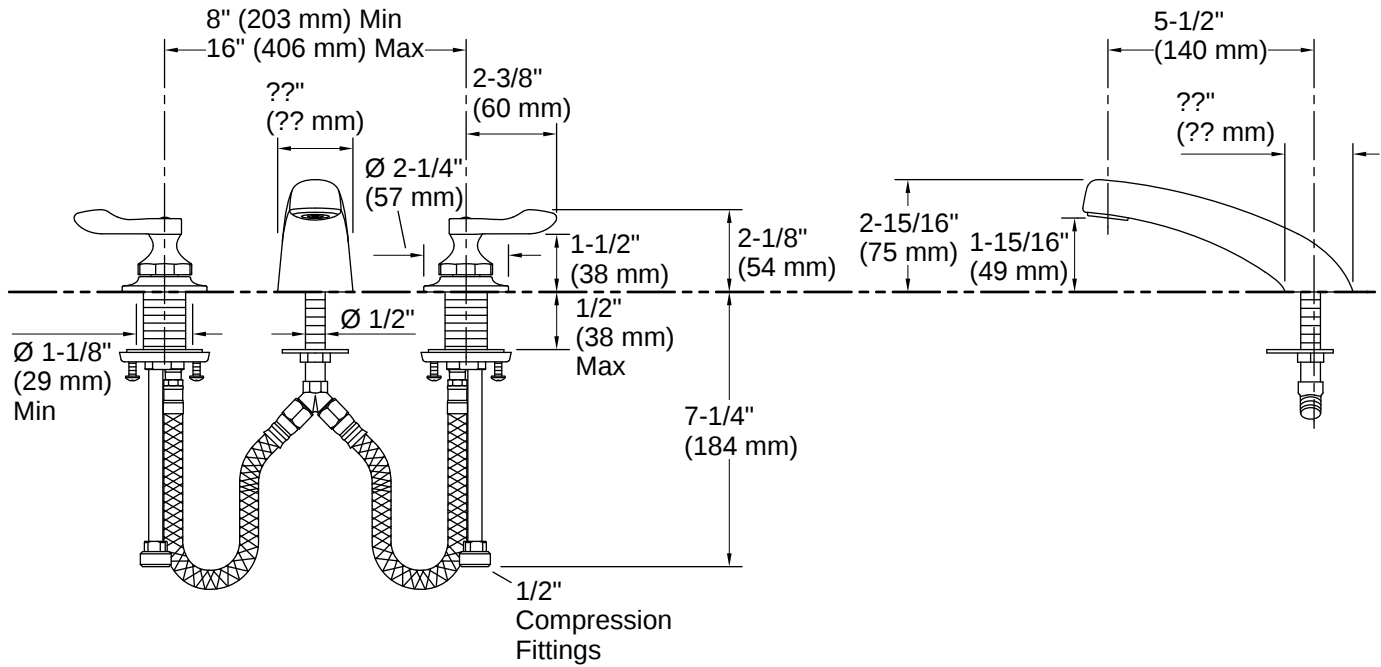
K-23723 Faucet cleaner

Warranty

See website for detailed warranty information.

KOHLER® One-Year Limited Warranty





Installation Notes

Install this product according to the installation instructions.

ADA, OBC, CSA B651 compliant when installed to the specific requirements of these regulations.

