

Task™ | K-80084-1PC

33" top-/undermount single-bowl workstation kitchen sink

Features

- 36" (914 mm) minimum base cabinet width
- Single bowl
- Single faucet hole
- 9" (229 mm) depth provides generous workspace
- Tightly angled fabricated corners maximize bowl space
- Two-piece colander set offers convenience while rinsing and draining (dishwasher-safe)
- Durable bamboo cutting board with silicone bumpers for added stability
- Accessories stack and slide to enhance food prep
- Dishwasher-safe silicone sink mat helps protect the sink as well as fragile dishes
- Sink strainer keeps large items from passing into the drain



Sustainability



Available Colors/Finishes

Color tiles intended for reference only.

NA Stainless Steel



Codes/Standards

ASME A112.19.3/CSA B45.4

Technical Information

All product dimensions are nominal.

Number of Deck Holes:	1
Faucet Hole(s) Size:	1-7/16" (37 mm)
Drain Hole Diameter:	3-5/8" (92 mm)
Minimum Base Cabinet Width:	36" (914 mm)
Basin Configuration:	Single Bowl
Basin Length:	30-1/4" (768 mm)
Basin Width:	14-15/16" (379 mm)
Basin Depth:	9-3/16" (233 mm)

Material

- Premium 18-gauge stainless steel
 - KOHLER stainless steel sinks resist corrosion and tarnishing
-

Recommended Products/Accessories

K-23726 Drain treatment

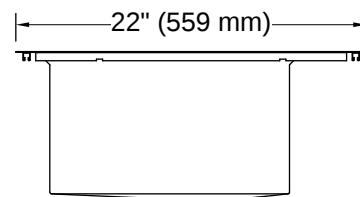
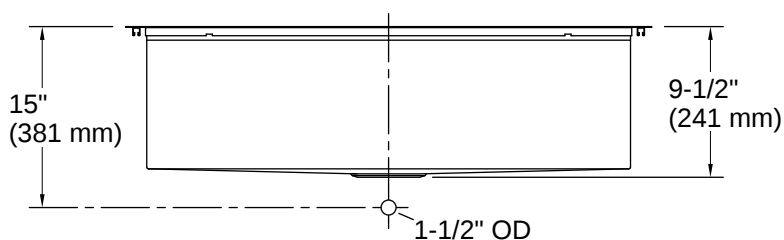
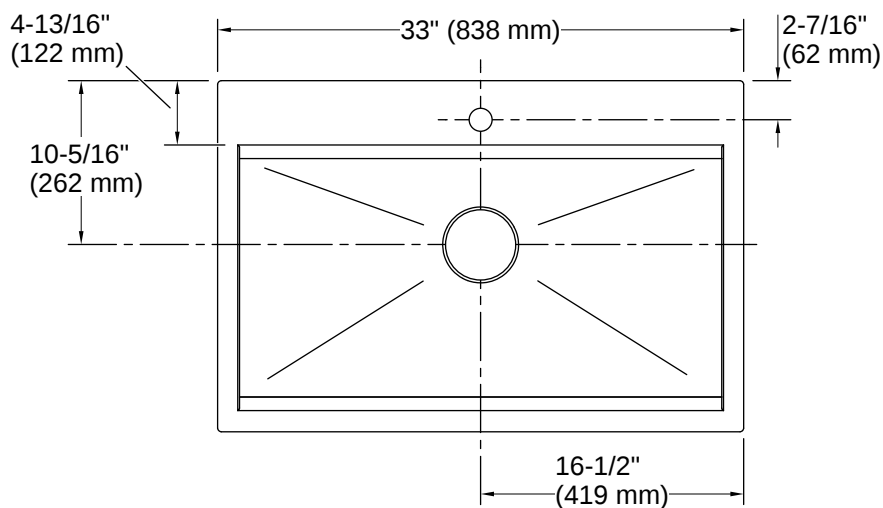
K-23729 Stainless steel cleaner

Warranty

See website for detailed warranty information.

KOHLER® Stainless Steel Sinks Lifetime Limited Warranty





Installation

- Top-mount or undermount
- Accessories slide on sink ledges when sink is top-mounted
- Cutting board slides across countertop when sink is undermounted

Installation Notes

Install this product according to the installation instructions.

