



Kennon® | K-80047

Large stainless steel sink rack, 16-1/2" x 15-3/16"

Features

- Fits in the large bowl of select Kennon® kitchen sinks
- Included with select Kennon® kitchen sinks
- Dishwasher-safe
- Helps protect sink surface from daily wear
- Recommended for use with select Kennon® large sink racks (sold separately)



Available Colors/Finishes

Color tiles intended for reference only.

 ST Stainless Steel



1-800-4KOHLER (1-800-456-4537)
Kohler Co. reserves the right to make revisions without notice to product specifications.
For the most current specification sheet, go to www.kohler.com USA or www.kohler.ca Canada.
4-15-2026 5:25 - US-CA

THE BOLD LOOK
OF **KOHLER**®

Codes/Standards

None Applicable

Material

- Durable stainless steel construction
-

Recommended Products/Accessories

K-23729 Stainless steel cleaner

K-80048 Small stainless steel sink rack, 16-1/2" x 11-1/16"

Warranty

See website for detailed warranty information.

KOHLER® One-Year Limited Warranty

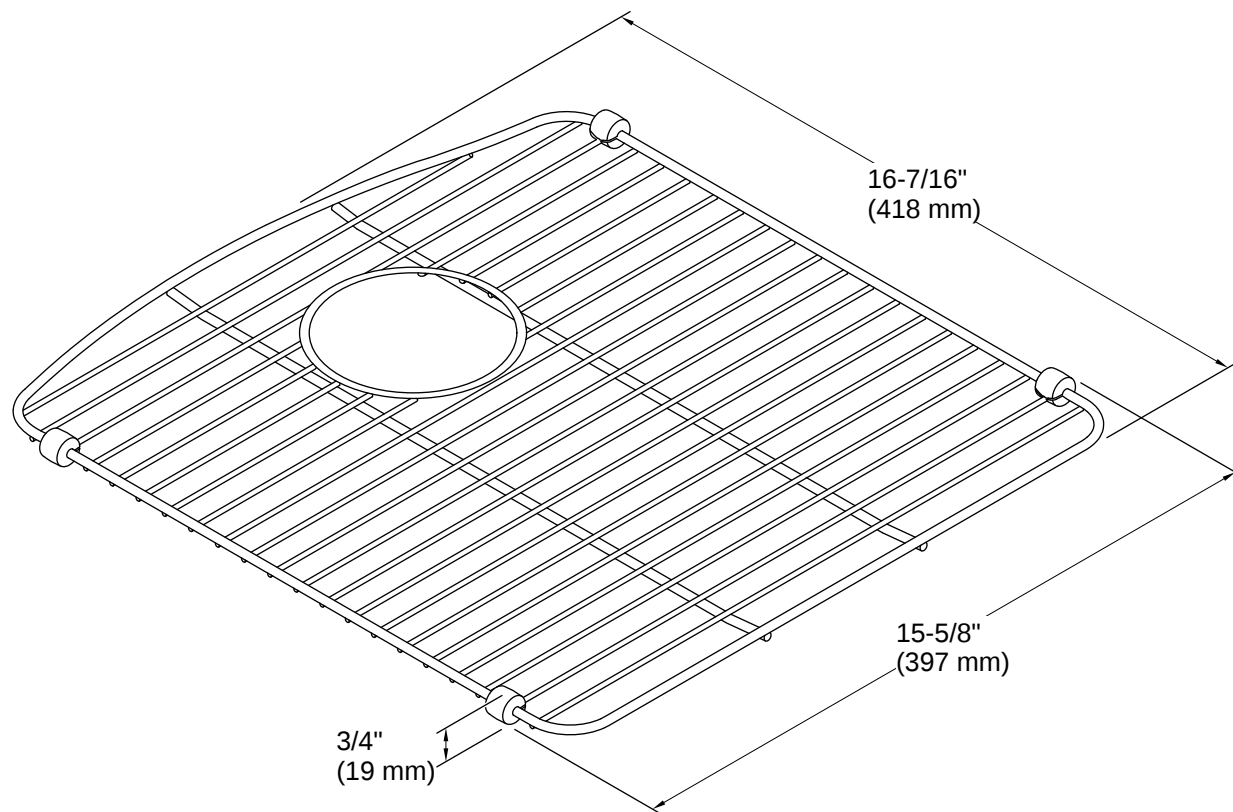


1-800-4KOHLER (1-800-456-4537)

Kohler Co. reserves the right to make revisions without notice to product specifications.

For the most current specification sheet, go to www.kohler.com USA or www.kohler.ca Canada.

4-15-2026 5:25 - US-CA



Installation Notes

Install this product according to the installation instructions.

