

K-7638

1/2" NPT angle supply with stop with cross handle and annealed vertical tube

Features

- Compression valve
- Annealed vertical tube with supply flange
- 1/2" NPT connection with flange
- Four-arm handle stop



Available Colors/Finishes

Color tiles intended for reference only.

- CP Polished Chrome
- SN Vibrant Polished Nickel
- AF Vibrant French Gold
- BN Vibrant Brushed Nickel
- BV Vibrant Brushed Bronze
- BL Matte Black
- 2MB Vibrant Brushed Moderne Brass
- TT Vibrant Titanium
- BGP Vibrant Brushed Graphite



Codes/Standards

ASME A112.18.1/CSA B125.1

Material

- Brass
-

Recommended Products/Accessories

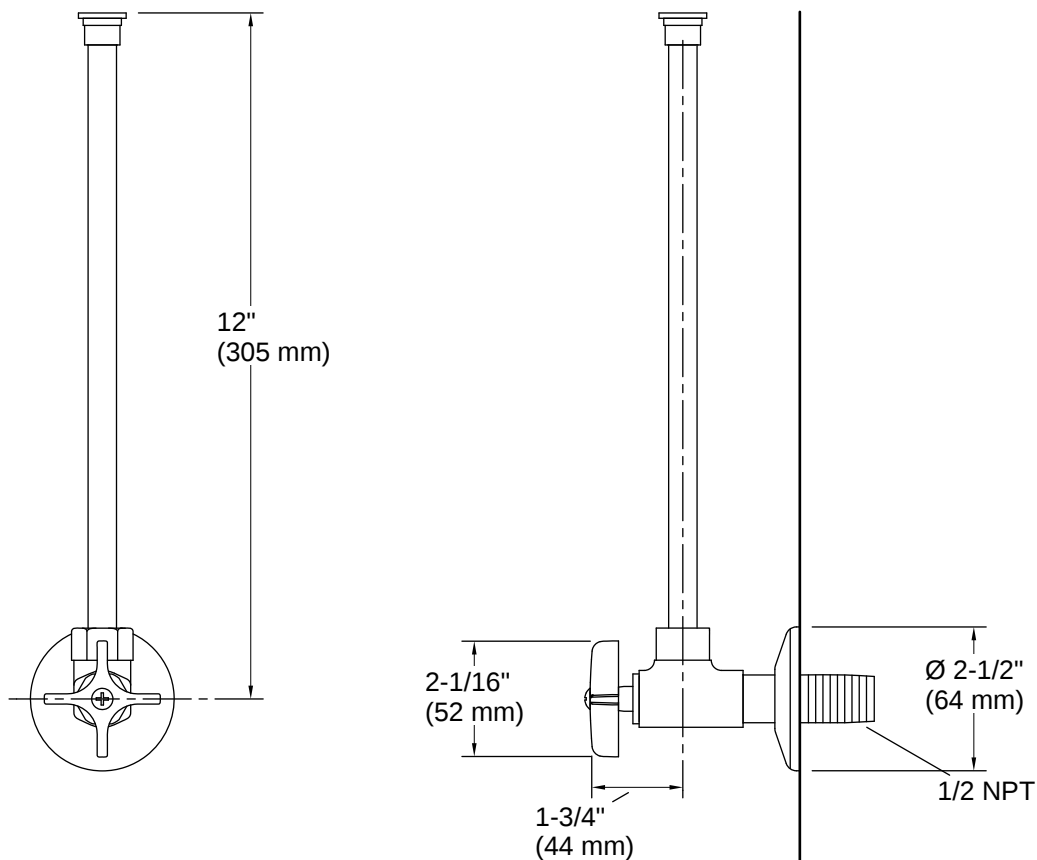
K-23723 Faucet cleaner

Warranty

See website for detailed warranty information.

KOHLER[®] One-Year Limited Warranty





Installation Notes

Install this product according to the installation instructions.

