



# Triton® Bowe® Cannock™ | K-730T70-4AJR

Wall-mount lavatory faucet, 1.2 gpm

## Features

- Two-handle gooseneck bathroom sink faucet
- 3-11/16" (94 mm) gooseneck spout with rosespray
- 7-5/16" (186 mm) wall-to-spout outlet
- 1.2 gpm (4.5 lpm) maximum flow rate
- Lever handles with red/blue indexing (ADA-compliant with correct installation)
- Optional decorative handle covers
- KOHLER® ceramic disc valves exceed industry longevity standards for a lifetime of durable performance
- Less drain
- Adjustable flanges
- External NPT connections
- Complies with the Safe Drinking Water Act (SDWA)



## Sustainability



## Available Colors/Finishes

*Color tiles intended for reference only.*

- CP Polished Chrome
- SR Vibrant Bright Nickel



1-800-4KOHLER (1-800-456-4537)  
Kohler Co. reserves the right to make revisions without notice to product specifications.  
For the most current specification sheet, go to [www.kohler.com](http://www.kohler.com) USA or [www.kohler.ca](http://www.kohler.ca) Canada.  
4-14-2026 2:4 - US-CA

THE BOLD LOOK  
OF **KOHLER**®

## Codes/Standards

ADA, OBC, CSA B651 compliant when installed to the specific requirements of these regulations.



ADA   CSA B651   OBC

ASME A112.18.1/CSA B125.1  
NSF/ANSI/CAN 372  
NSF/ANSI/CAN 61  
DOE - Energy Policy Act 1992  
EPA WaterSense®  
California Energy Commission (CEC)  
ADA  
ICC/ANSI A117.1  
CSA B651  
OBC

## Technical Information

All product dimensions are nominal.

### Handle

Handle Style/ Type:                      Lever

### Spout

Spout Reach:                                3-11/16" (93 mm)

### Flow Rate

Faucet Flow Rate:                        1.2 gpm (4.5 l/min)

## Valves

Included Valves:                          Ceramic disc, Thermostatic, Volume Control

## Material

- Brass

## Recommended Products/Accessories

K-23723 Faucet cleaner

K-3200 36" wall-mount utility sink

K-3202 48" wall-mount utility sink

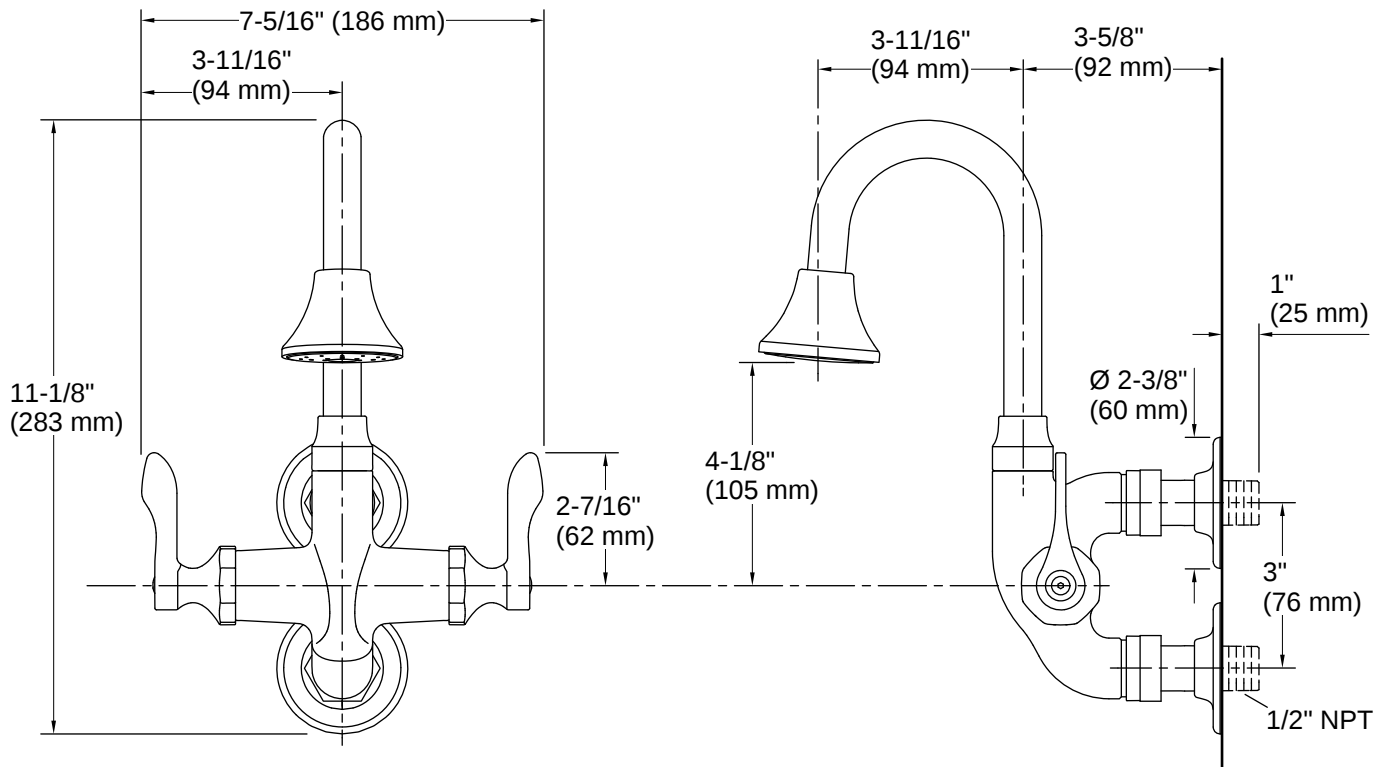
K-3203 60" wall-mount utility sink

## Warranty

See website for detailed warranty information.

KOHLER® One-Year Limited Warranty





## Installation

- 3" vertical wall-mount installation
- Pairs with the Brockway wall-mounted wash sink

## Installation Notes

*Install this product according to the installation instructions.*

ADA compliant for handles only.

ADA, OBC, CSA B651 compliant when installed to the specific requirements of these regulations.

