

## Artifacts® | K-72777

Deck-mount bath spout with flare design

### Features

- 3" (76 mm) high nondiverter spout
- Variety of handle style options (sold separately)
- Nondiverter spout
- 15 gpm (gallons per minute) bath faucet flow rate
- KOHLER® ceramic disc valves exceed industry longevity standards for a lifetime of durable performance
- Coordinates with other products in the Artifacts collection
- Handle trim sold separately



### Available Colors/Finishes

*Color tiles intended for reference only.*

- |     |                               |
|-----|-------------------------------|
| CP  | Polished Chrome               |
| SN  | Vibrant Polished Nickel       |
| AF  | Vibrant French Gold           |
| BN  | Vibrant Brushed Nickel        |
| BV  | Vibrant Brushed Bronze        |
| BL  | Matte Black                   |
| 2MB | Vibrant Brushed Moderne Brass |
| TT  | Vibrant Titanium              |



---

## Codes/Standards

ASME A112.18.1/CSA B125.1

---

## Technical Information

*All product dimensions are nominal.*

### Spout

Spout Reach: 9" (229 mm)

### Flow Rate

Faucet Flow Rate: 15 gpm (56.8 l/min)

---

## Material

- Brass
  - KOHLER finishes resist corrosion and tarnishing
- 

## Recommended Products/Accessories

K-23723 Faucet cleaner

K-72571 Towel ring

K-72572 Double robe hook

K-72573 Pivoting toilet paper holder

K-72567 18" towel bar

K-72568 24" towel bar

K-72570 24" double towel bar

K-72576 Toilet paper carriage

---

## Required Products/Accessories

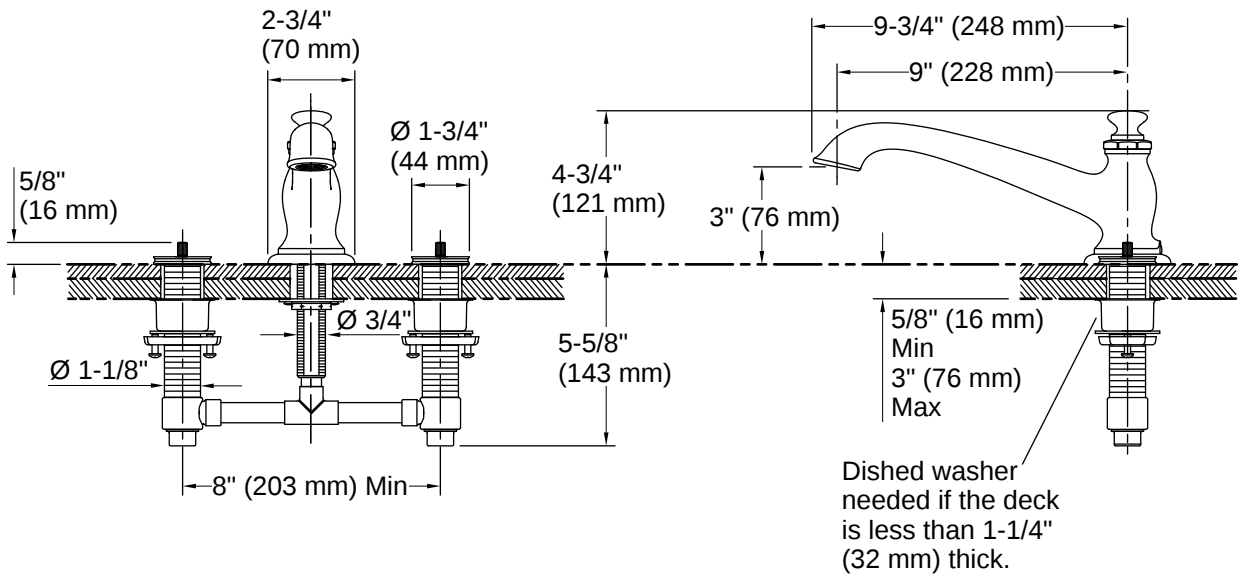
- K-T98071-4 Deck-mount bath faucet handle trim with Lever design
- 

## Warranty

*See website for detailed warranty information.*

KOHLER® Faucet Lifetime Limited Warranty





## Installation

- Finished deck-mount installation only

## Installation Notes

*Install this product according to the installation instructions.*

IMPORTANT! Artifacts deck-mount handles are only compatible with the valve included with the Artifacts deck-mount faucets. Do not install to a K-300 bath valve.

IMPORTANT! For K-T98071-9M models, the handle swings up and toward the user. Ensure that the handle will not interfere with the bath fixture during operation.

For a finished bath deck/rim less than 5/8" (16 mm) thick: Install wood reinforcing material to the underside of the deck/rim. The combined thickness of the reinforcing material and the deck/rim must not exceed 3" (76 mm).

