

Exhale® B120 | K-72595-G

Four-function handshower, 1.75 gpm

Features

- Handshower features transitional design, inspired by nature
- Advanced spray engine provides four alternate experiences: full coverage, drenching rain, intense massage and soft silk spray
- Full coverage spray produces an encompassing spray ideal for everyday use
- Full Coverage Rain uses gravity to deliver a soft flow of water, providing a gentle spray experience reminiscent of natural rainfall
- Intense massage spray targets sore muscles to ease away aches and pains
- Soft silk spray releases a dense, luxurious downpour of water
- Full 360° rotation of entire sprayface cycles through spray functions
- Silicone sprayface is easy to clean
- This product can help a building earn Water Efficiency points in LEED® Green Building Rating System



Sustainability



1-800-4KOHLER (1-800-456-4537)

Kohler Co. reserves the right to make revisions without notice to product specifications.
For the most current specification sheet, go to www.kohler.com USA or www.kohler.ca Canada.
4-15-2026 5:39 - US-CA

Codes/Standards

OBC compliant when installed to the specific requirements of these regulations.



OBC

ASME A112.18.1/CSA B125.1
DOE - Energy Policy Act 1992
EPA WaterSense®
California Energy Commission (CEC)
OBC

Technical Information

All product dimensions are nominal.

Flow Rate

Handshower Rated Maximum 1.75 gpm (6.6 l/min)

Flow:

Material

- KOHLER finishes resist corrosion and tarnishing

Recommended Products/Accessories

K-23723 Faucet cleaner

Required Products/Accessories

- K-8593 72" metal shower hose

or

- K-9514 60" metal shower hose

or

- K-45981 72" ribbon hose

or

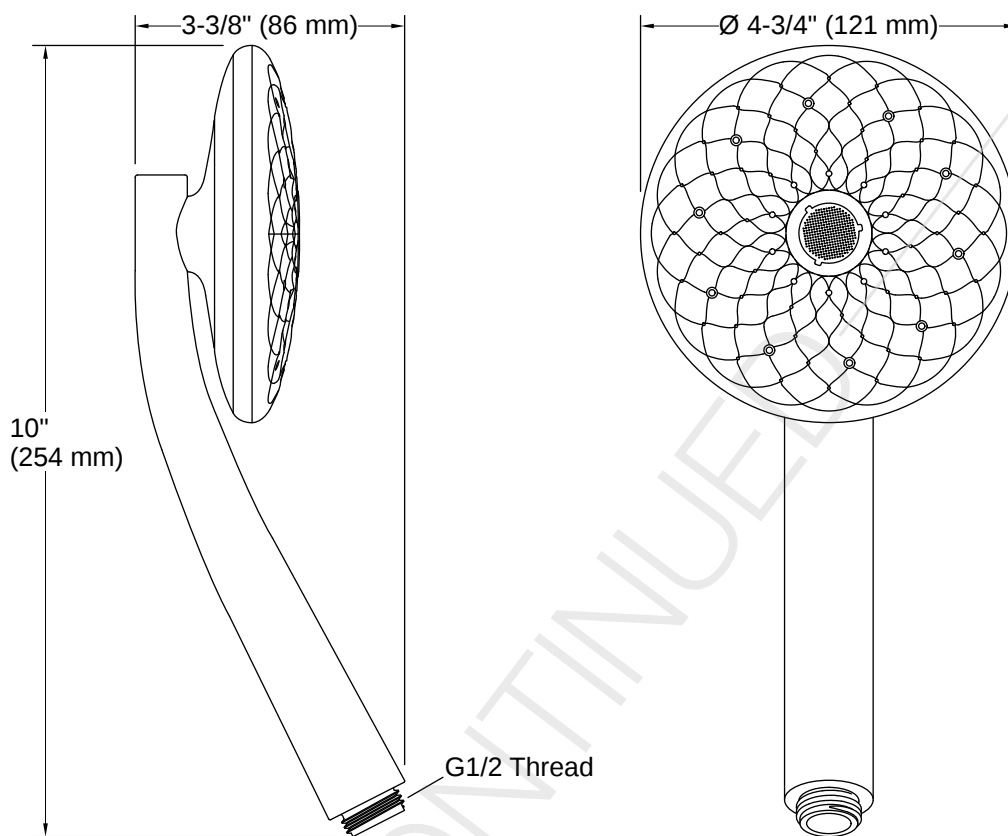
- K-45982 60" ribbon hose

Warranty

See website for detailed warranty information.

KOHLER® Faucet Lifetime Limited Warranty





Installation

- Bracket or sidebar required for wall-mount installation
- Deck-mount holder required for deck-mount installation

Installation Notes

Install this product according to the installation instructions.

Plumbing codes require approved backflow prevention devices to be installed in-line to handshowers. Please consult with local plumbing officials.

OBC compliant when installed to the specific requirements of these regulations.

