

Memoirs® | K-722

60" x 33-3/4" alcove bath, right drain

Features

- Integral apron
- Safeguard® slip-resistant surface provides excellent traction underfoot
- Coordinates with other products in the Memoirs collection
- Integral lumbar support



Sustainability



Available Colors/Finishes

Color tiles intended for reference only.

■ 0 White



Codes/Standards

ADA compliant when installed to the specific requirements of these regulations.



ASME A112.19.1/CSA B45.2
ASTM F462
ADA
ICC/ANSI A117.1

Technical Information

All product dimensions are nominal.

Drain Location:	Right
Drain Hole Diameter:	2-1/4" (57 mm)
Minimum Flat for Door:	2-7/16" (62 mm)
Basin Area, Bottom:	45" x 23" (1143 mm x 584 mm)
Basin Area, Top:	54" x 25" (1372 mm x 635 mm)
Water Depth:	11-5/8" (295 mm)
Water Capacity:	52 gal (196.8 L)
Minimum Floor Load:	61 lbs/ft ²
Weight:	390 lbs (176.9 kg)

Material

- KOHLER® enameled cast iron

Recommended Products/Accessories

- K-23726 Drain treatment
- K-7259 Brass toe tap bath drain
- K-706007-L Sliding bath door, 62" H x 56-5/8 - 59-5/8" W, with 3/8" thick Crystal Clear glass
- K-23725 Cast iron cleaner
- K-706000-D3 Sliding bath door, 62" H x 56-5/8 - 59-5/8" W, with 1/4" thick Frosted glass
- K-706000-L 62" H sliding bath door with 1/4"-thick glass
- K-706003-L Sliding bath door, 62" H x 56-5/8 - 59-5/8" W, with 3/8" thick Crystal Clear glass
- K-706004-D3 Sliding bath door, 62" H x 56-5/8 - 59-5/8" W, with 1/4" thick Frosted glass
- K-706004-L Sliding bath door, 62" H x 56-5/8 - 59-5/8" W, with 1/4" thick Crystal Clear glass

Required Products/Accessories

- K-T37392 Rotary-turn bath drain trim
 - K-T37391 Rotary-turn bath drain trim
- or
- K-78439 45" cable bath drain
 - K-37385 Rough-in cable drain, PVC, 45" cable, less horizontal tube

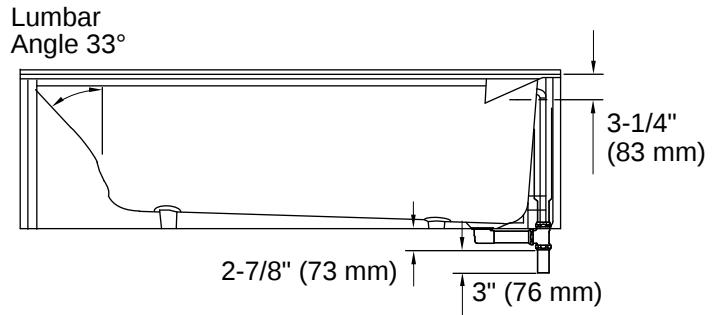
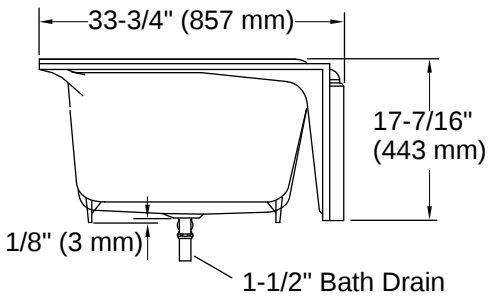
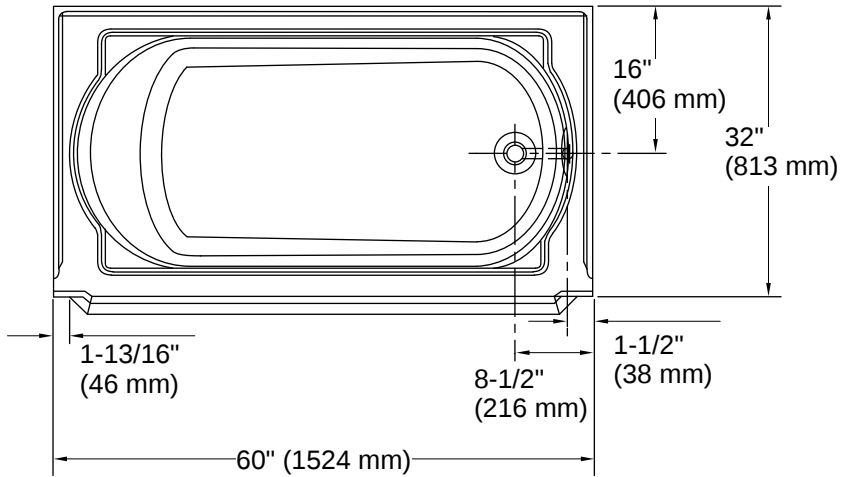
Warranty

See website for detailed warranty information.

KOHLER® Enameled Cast Iron Bath and Shower Base Lifetime Limited Warranty



No change in measurements if connected with drain illustrated. (K-7161-AF)



Installation

- Right drain
- Alcove
- Integral flange

Installation Notes

Install this product according to the installation instructions.

Measure your actual product for rough-in details.
 The hot water supply should be 70% of the capacity of the bath or greater. Installations will vary.
 ADA compliant when installed to the specific requirements of these regulations.

