

Villager® | K-714

60" x 34-1/4" alcove bath, right drain

Features

- 60" (1524 mm) x 34-1/4" (870 mm) x 14" (356 mm)
- Our most popular bath
- Integral apron for quick installation
- Integral lumbar support
- Integral apron
- Safeguard® slip-resistant surface provides excellent traction underfoot



Sustainability



Available Colors/Finishes

Color tiles intended for reference only.

- 0 White
- 96 Biscuit



Codes/Standards

ADA compliant when installed to the specific requirements of these regulations.



ASME A112.19.1/CSA B45.2
ASTM F462
ADA
ICC/ANSI A117.1

Technical Information

All product dimensions are nominal.

Drain Location:	Right
Drain Hole Diameter:	2-1/4" (57 mm)
Minimum Flat for Door:	1-7/8" (48 mm)
Basin Area, Bottom:	45" x 22" (1143 mm x 559 mm)
Basin Area, Top:	55" x 24" (1397 mm x 610 mm)
Water Depth:	8-5/8" (219 mm)
Water Capacity:	33 gal (124.9 L)
Minimum Floor Load:	51 lbs/ft ²
Weight:	330 lbs (149.7 kg)

Material

- KOHLER® enameled cast iron

Recommended Products/Accessories

- K-1491 Bath/whirlpool pillow, removable
- K-1601 Bath/whirlpool footstop, removable
- K-23726 Drain treatment
- K-23725 Cast iron cleaner

Required Products/Accessories

- K-7214 Cable bath drain, less PVC tubing
- or
- K-7213 Cable bath drain with PVC tubing
- or
- K-7259 Brass toe tap bath drain

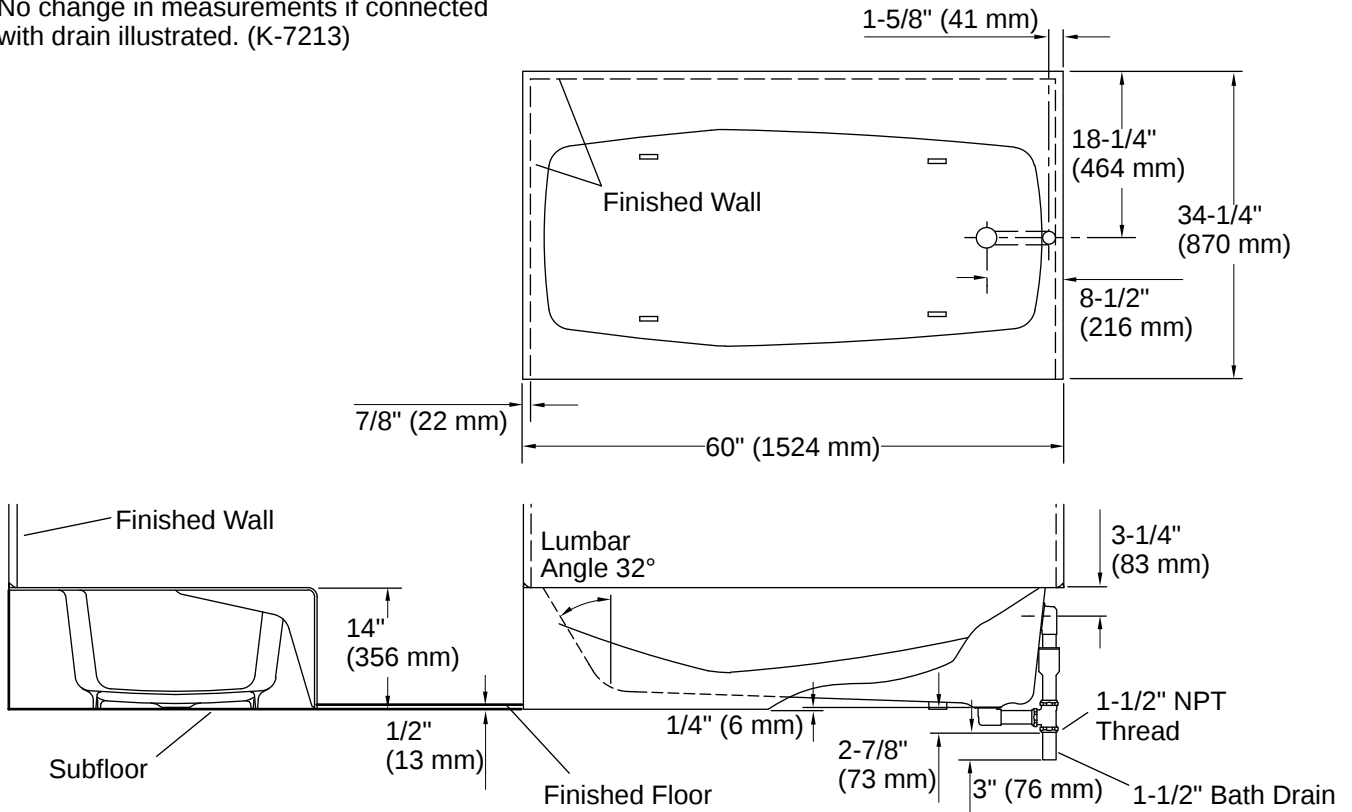
Warranty

See website for detailed warranty information.

KOHLER® Enameled Cast Iron Bath and Shower Base Lifetime Limited Warranty



No change in measurements if connected with drain illustrated. (K-7213)



Installation

- Alcove
- Integral flange
- Right drain

Installation Notes

Install this product according to the installation instructions.

Measure your actual product for rough-in details.

The hot water supply should be 70% of the capacity of the bath or greater. Installations will vary.

ADA compliant when installed to the specific requirements of these regulations.

