



# Iron Works® Historic™ | K-710-P5

66" x 36" freestanding bath

## Features

- Traditional design brings classic, eye-catching style to the bathroom
- Oval basin creates a spacious bathing experience
- Integral lumbar support
- Safeguard® slip-resistant surface provides excellent traction underfoot
- Integral lumbar support



## Sustainability



## Available Colors/Finishes

*Color tiles intended for reference only.*

- 0BL Black Exterior with White Interior



1-800-4KOHLER (1-800-456-4537)  
Kohler Co. reserves the right to make revisions without notice to product specifications.  
For the most current specification sheet, go to [www.kohler.com](http://www.kohler.com) USA or [www.kohler.ca](http://www.kohler.ca) Canada.  
4-15-2026 5:17 - US-CA

THE BOLD LOOK  
OF **KOHLER**

## Codes/Standards

ASME A112.19.1/CSA B45.2  
ASTM F462

## Technical Information

*All product dimensions are nominal.*

Drain Location:	Reversible
Drain Hole Diameter:	2-1/4" (57 mm)
Basin Area, Bottom:	47-1/2" x 25" (1207 mm x 635 mm)
Basin Area, Top:	55" x 29" (1397 mm x 737 mm)
Water Depth:	12-5/8" (321 mm)
Water Capacity:	64 gal (242.3 L)
Minimum Floor Load:	57 lbs/ft <sup>2</sup>
Weight:	350 lbs (158.8 kg)

## Material

- KOHLER® enameled cast iron
- Painted exterior surface smoothness can vary from product to product

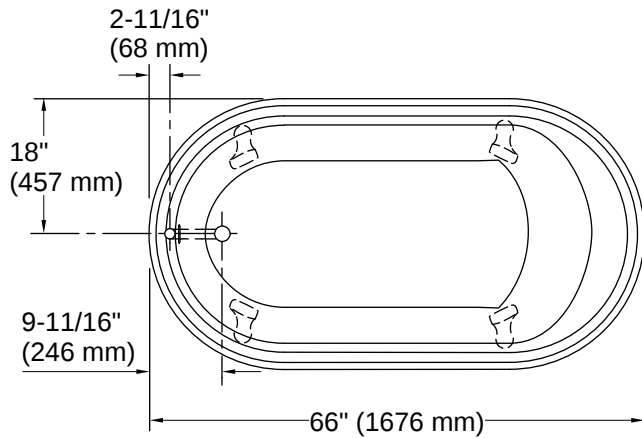
## Recommended Products/Accessories

- K-1491 Bath/whirlpool pillow, removable
- K-1601 Bath/whirlpool footstop, removable
- K-23726 Drain treatment
- K-7104 Exposed bath drain for above-the-floor installation
- K-7178 Decorative 1-1/2" adjustable pop-up bath drain for 5' whirlpool with tailpiece
- K-23725 Cast iron cleaner

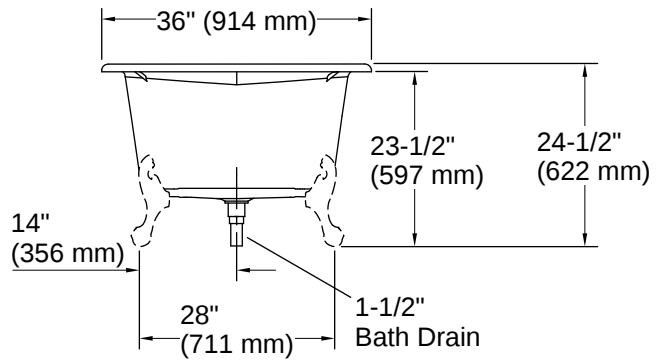
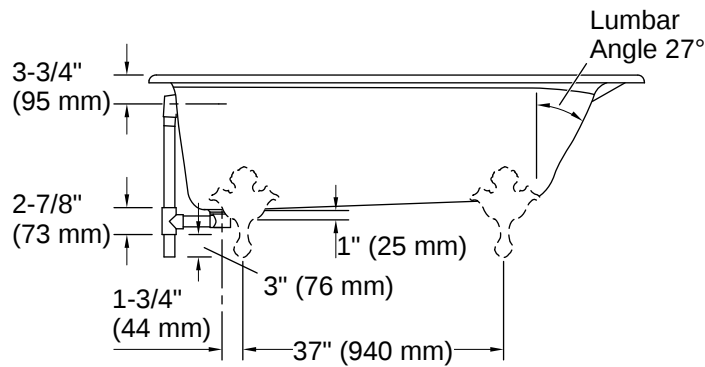
## Required Products/Accessories

- K-1103 ball-and-claw feet





No change in measurements if connected with drain illustrated. (K-7178)



### Installation

- Reversible drain
- Freestanding

### Installation Notes

*Install this product according to the installation instructions.*

Measure your actual product for rough-in details.  
 The hot water supply should be 70% of the capacity of the bath or greater. Installations will vary.

