

Elate® | K-707617-8G81

Sliding shower door, 75-1/2" H x 68-1/4 - 71-5/8" W, with heavy 5/16" thick Crystal Clear glass with privacy band

Features

- Frameless design emphasizes glass and creates a sleek, minimalist look
- Vertical handle with inside knob on moving panel
- Gently-curved towel bar provides integrated storage on fixed panel
- Tempered glass ensures enhanced safety and durability
- CleanCoat®+ glass coating creates a hydrophobic barrier that repels water, soap scum, and residue, saving time and protecting shower doors 10 times longer than original CleanCoat. (Based on 2021 internal wear/abrasion testing using a microfiber cloth.)
- Smooth, easy-to-clean wall jambs
- Full-length moving panel seal provides excellent water containment
- Coordinates with other products in the Elate collection
- Shower door configuration consists of one sliding panel and one stationary panel



Available Colors/Finishes

Color tiles intended for reference only.

- SH Bright Silver
- BL Matte Black
- MX Anodized Matte Nickel



Codes/Standards

ANSI Z97.1 (Tempered Glass)
CAN/CGSB-12.1
CPSC 16CFR 1201

Technical Information

All product dimensions are nominal.

Base-To-Wall Radius - Maximum: 1/2" (13 mm)
Shower Ledge Minimum Flat: 2-1/4" (57 mm)
Shower Wall Minimum Flat: 2-7/8" (73 mm)
Weight: 160.35 lbs (72.7 kg)

Material

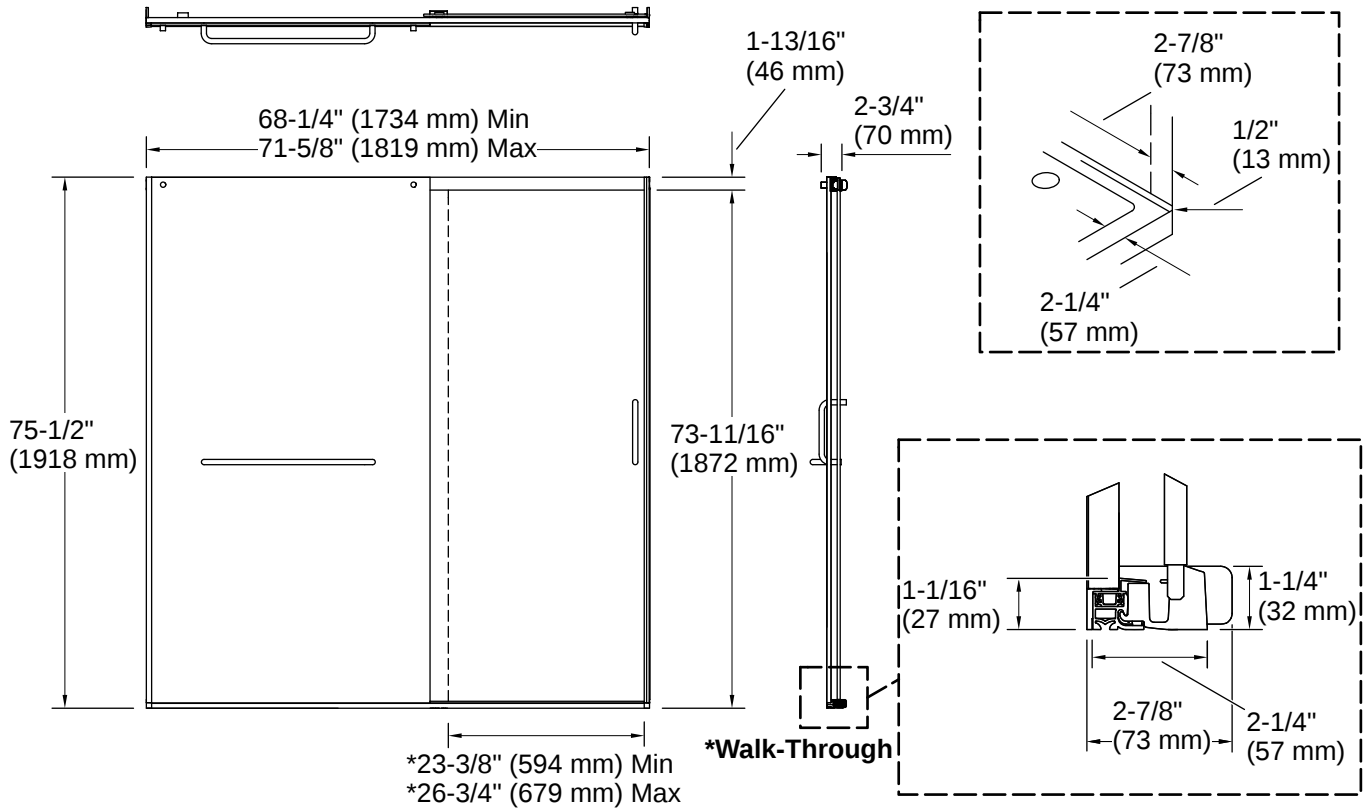
- Frameless, heavy 5/16" (8 mm) thick Crystal Clear tempered glass with frosted privacy band
 - Anodized aluminum prevents rust and corrosion
-

Warranty

See website for detailed warranty information.

KOHLER® Bath and Shower Doors Ten-Year Limited Warranty





Installation

- Fits opening widths 68-1/4" - 71-5/8" (1734 - 1819 mm)
- 75-1/2" (1918 mm) tall, with a lofty 72-11/16" (1846 mm) minimum head clearance
- 3-3/8" (86 mm) width adjustment
- Out-of-plumb adjustability simplifies installation
- Door can be installed to open to the left or right to suit your bathroom layout
- For residential use only
- Not for use in hospitality

Installation Notes

Install this product according to the installation instructions.

The vertical opening should be a minimum of 78-13/16" (2002 mm) to allow for installation clearance.

