



Revel® | K-707510-L

Pivot shower door, 70" H x 31-1/8 - 36" W, with 1/4" thick Crystal Clear glass

Features

- Self-closing mechanism offers superior performance and security against water leakage
- Vertical handle complements the contemporary style
- Ultra-low threshold creates easy entry and exit to the showering space
- CleanCoat®+ glass coating creates a hydrophobic barrier that repels water, soap scum, and residue, saving time and protecting shower doors 10 times longer than original CleanCoat. (Based on 2021 internal wear/abrasion testing using a microfiber cloth.)
- Tempered glass ensures enhanced safety and durability



Available Colors/Finishes

Color tiles intended for reference only.

- SHP Bright Polished Silver
- BNK Anodized Brushed Nickel
- ABZ Anodized Dark Bronze



1-800-4KOHLER (1-800-456-4537)
Kohler Co. reserves the right to make revisions without notice to product specifications.
For the most current specification sheet, go to www.kohler.com USA or www.kohler.ca Canada.
4-15-2026 4:3 - US-CA

THE BOLD LOOK
OF **KOHLER**

Codes/Standards

ANSI Z97.1 (Tempered Glass)
CAN/CGSB-12.1
CPSC 16CFR 1201

Technical Information

All product dimensions are nominal.

Base-To-Wall Radius - Maximum:	3/8" (10 mm)
Shower Ledge Minimum Flat:	2-1/4" (57 mm)
Shower Wall Minimum Flat:	2-1/4" (57 mm)
Weight:	81.96 lbs (37.2 kg)

Material

- Frameless, 1/4" (6 mm) thick Crystal Clear tempered glass
-

Technology

- Maximum width adjustability
-

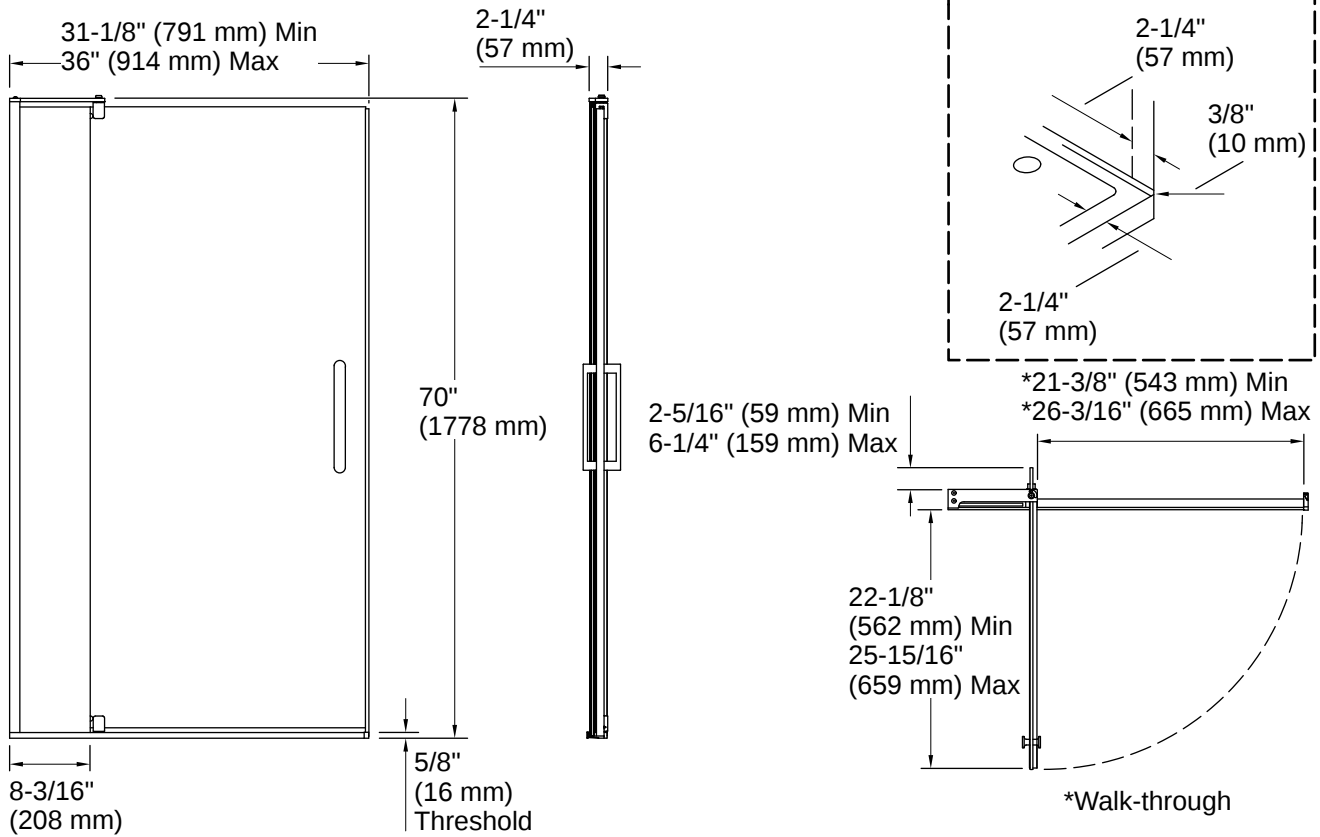
Warranty

See website for detailed warranty information.

KOHLER® Bath and Shower Doors Ten-Year Limited Warranty



1-800-4KOHLER (1-800-456-4537)
Kohler Co. reserves the right to make revisions without notice to product specifications.
For the most current specification sheet, go to www.kohler.com USA or www.kohler.ca Canada.
4-15-2026 4:3 - US-CA



Installation

- Out-of-plumb adjustability simplifies installation
- Door can be installed to open to the left or right to suit your bathroom layout
- Pivot shower door
- Not for use in hospitality

Installation Notes

Install this product according to the installation instructions.

Strike jamb is made of clear plastic and may not cover existing shower door holes.

NOTICE: The vertical opening should be a minimum of 74" (1880 mm) to allow clearance for installation.

Do not install this door to a plastic shower modules or drywall unless additional support is provided behind the wall.

