



# Elmbrook™ | K-706853-8L

Frameless sliding bath door, 61-9/16" H x 54-5/8 - 59-5/8" W, with 5/16" thick Crystal Clear glass

## Features

- Frameless design emphasizes glass and creates a sleek, minimalist look
- Dual sliding barn door style
- Cushioned center guide provides smooth, quiet sliding action
- Smooth, easy-to-clean wall jambs
- 16-1/4" (413 mm) vertical handles with 1/4" (6 mm) knob on opposite side for easy opening and closing
- CleanCoat®+ glass coating creates a hydrophobic barrier that repels water, soap scum, and residue, saving time and protecting shower doors 10 times longer than original CleanCoat. (Based on 2021 internal wear/abrasion testing using a microfiber cloth.)
- Innovative roller design simplifies installation and provides out-of-plumb adjustability while glass is installed



## Available Colors/Finishes

*Color tiles intended for reference only.*

- SHP Bright Polished Silver
- BL Matte Black
- 2MB Vibrant Brushed Moderne Brass
- BNK Anodized Brushed Nickel



1-800-4KOHLER (1-800-456-4537)  
Kohler Co. reserves the right to make revisions without notice to product specifications.  
For the most current specification sheet, go to [www.kohler.com](http://www.kohler.com) USA or [www.kohler.ca](http://www.kohler.ca) Canada.  
4-15-2026 5:47 - US-CA

THE BOLD LOOK  
OF **KOHLER**

## Codes/Standards

ANSI Z97.1 (Tempered Glass)  
CAN/CGSB-12.1  
CPSC 16CFR 1201

---

## Technical Information

*All product dimensions are nominal.*

Base-To-Wall Radius - Maximum:	1/2" (13 mm)
Shower Ledge Minimum Flat:	2-1/2" (64 mm)
Shower Wall Minimum Flat:	3-1/2" (89 mm)
Weight:	117 lbs (53.1 kg)

---

## Material

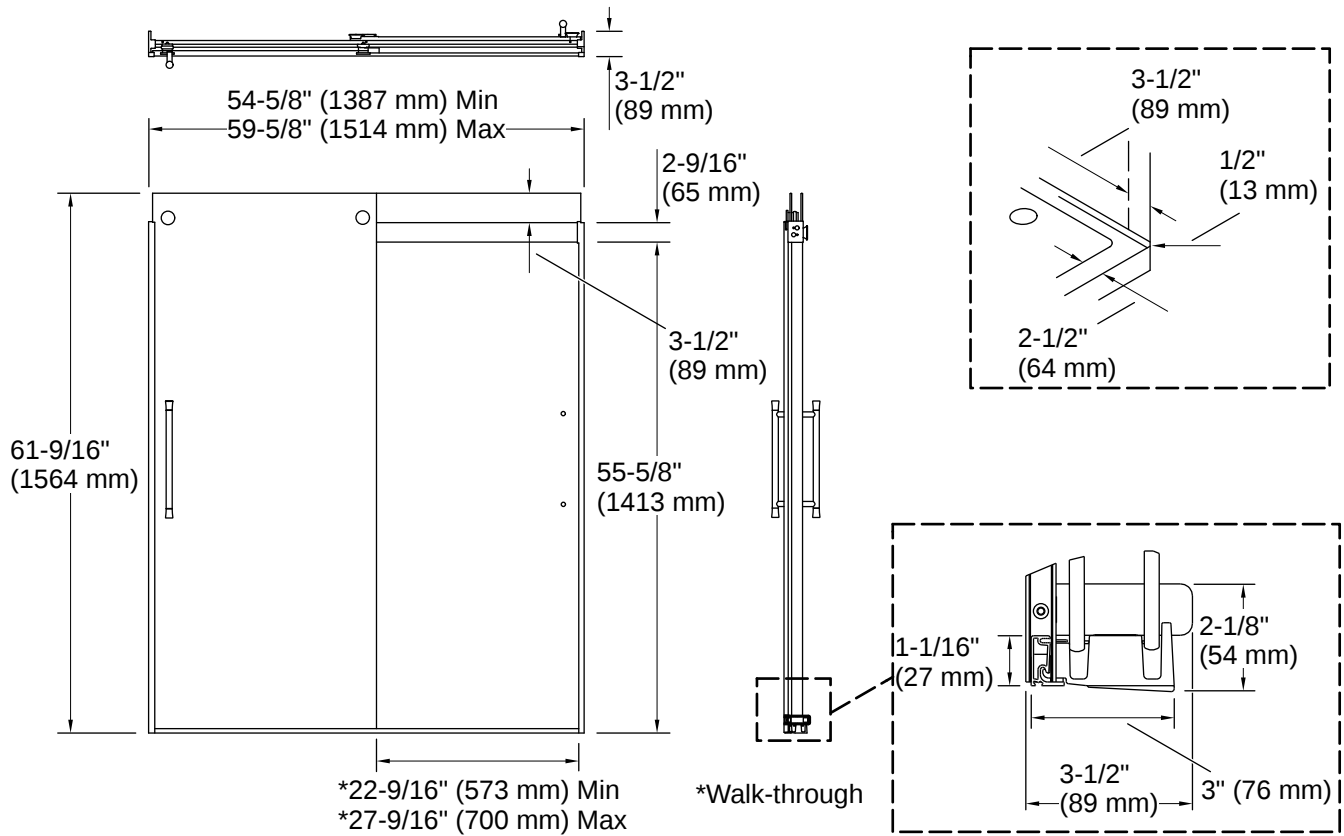
- Frameless, heavy 5/16" (8 mm) thick Crystal Clear tempered glass
  - Anodized aluminum prevents rust and corrosion
- 

## Warranty

*See website for detailed warranty information.*

KOHLER® Bath and Shower Doors Ten-Year Limited Warranty





## Installation

- Fits opening widths 54-5/8" - 59-5/8" (1387 - 1514 mm)
- Out-of-plumb adjustability simplifies installation
- For residential use only
- Not for use in hospitality

## Installation Notes

*Install this product according to the installation instructions.*

If replacing a shower door, the narrow wall jamb design of this door may not cover the existing shower door holes. The vertical opening should be a minimum of 63" (1600 mm) to allow for installation clearance.

