



# Levity® | K-706006-L

Sliding bath door, 59-3/4" H x 56-5/8 - 59-5/8" W, with 1/4" thick Crystal Clear glass

## Features

- Innovative roller design simplifies installation and provides out-of-plumb adjustability while glass is installed
- Cushioned center guide provides smooth, quiet sliding action
- Gently curved towel bars, inside and outside, provide integrated storage on the door
- CleanCoat®+ glass coating creates a hydrophobic barrier that repels water, soap scum, and residue, saving time and protecting shower doors 10 times longer than original CleanCoat. (Based on 2021 internal wear/abrasion testing using a microfiber cloth.)
- Tempered glass ensures enhanced safety and durability



## Available Colors/Finishes

*Color tiles intended for reference only.*

- SH Bright Silver
- BL Matte Black
- MX Matte Nickel
- ABV Anodized Brushed Bronze
- 2MB Vibrant Brushed Moderne Brass
- ABZ Anodized Dark Bronze



## Codes/Standards

ANSI Z97.1 (Tempered Glass)

CAN/CGSB-12.1

CPSC 16CFR 1201

---

## Technical Information

*All product dimensions are nominal.*

Base-To-Wall Radius - Maximum: 1/2" (13 mm)

Shower Ledge Minimum Flat: 2-1/2" (64 mm)

Shower Wall Minimum Flat: 3-1/2" (89 mm)

Weight: 93 lbs (42.2 kg)

---

## Material

- Frameless, 1/4" (6 mm) thick Crystal Clear tempered glass
- 

## Warranty

*See website for detailed warranty information.*

KOHLER® Bath and Shower Doors Ten-Year Limited Warranty

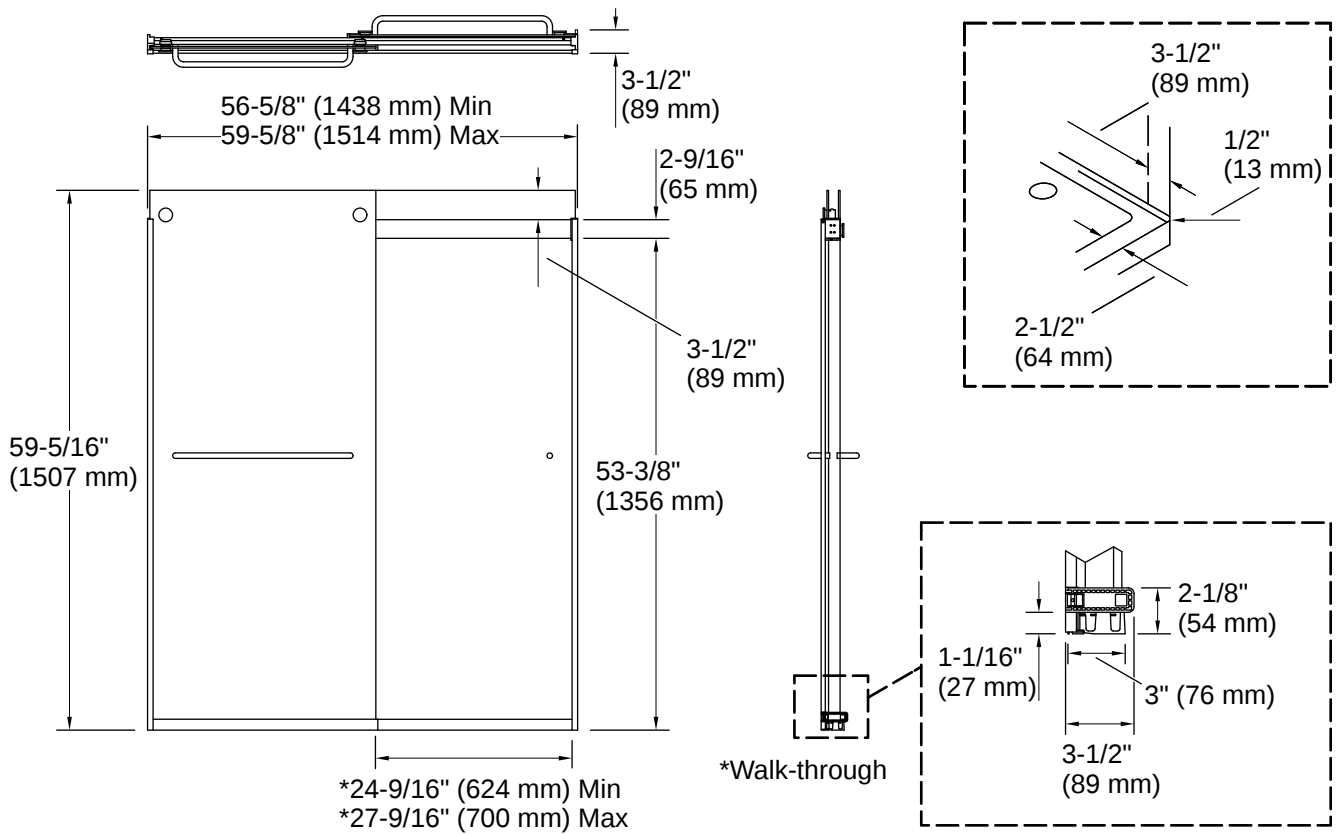


1-800-4KOHLER (1-800-456-4537)

Kohler Co. reserves the right to make revisions without notice to product specifications.

For the most current specification sheet, go to [www.kohler.com](http://www.kohler.com) USA or [www.kohler.ca](http://www.kohler.ca) Canada.

4-15-2026 2:14 - US-CA



## Installation

- Sliding bath door
- Not for use in hospitality

## Installation Notes

*Install this product according to the installation instructions.*

If replacing a shower door, the narrow wall jamb design of this door may not cover the existing shower door holes.

The vertical opening should be a minimum of 62-1/4" (1581 mm) to allow for installation clearance.

