



# Levity<sup>®</sup> Plus | K-702423-L

Frameless sliding shower door, 77-9/16" H x 56-5/8 - 59-5/8" W, with 5/16"-thick Crystal Clear glass

## Features

- Frameless design emphasizes glass and creates a sleek, minimalist look
- Innovative roller design with stainless steel bearings simplifies installation and provides out-of-plumb adjustability while glass is installed
- 17" (432 mm) vertical handles with 1/4" (6 mm) inside knob for easy opening and closing
- Cushioned center guide provides smooth, quiet sliding action
- CleanCoat<sup>®</sup>+ glass coating creates a hydrophobic barrier that repels water, soap scum, and residue, saving time and protecting shower doors 10 times longer than original CleanCoat. (Based on 2021 internal wear/abrasion testing using a microfiber cloth.)
- Smooth, easy-to-clean wall jambs
- Tempered glass ensures enhanced safety and durability



## Available Colors/Finishes

*Color tiles intended for reference only.*

-  SHP Bright Polished Silver
-  BL Matte Black
-  2MB Vibrant Brushed Moderne Brass
-  BNK Anodized Brushed Nickel



1-800-4KOHLER (1-800-456-4537)  
Kohler Co. reserves the right to make revisions without notice to product specifications.  
For the most current specification sheet, go to [www.kohler.com](http://www.kohler.com) USA or [www.kohler.ca](http://www.kohler.ca) Canada.  
4-15-2026 6:21 - US-CA

THE BOLD LOOK  
OF **KOHLER**

## Codes/Standards

ANSI Z97.1 (Tempered Glass)  
CAN/CGSB-12.1  
CPSC 16CFR 1201

---

## Technical Information

*All product dimensions are nominal.*

Base-To-Wall Radius - Maximum: 1/2" (13 mm)  
Shower Ledge Minimum Flat: 2-1/2" (64 mm)  
Shower Wall Minimum Flat: 3-1/2" (89 mm)  
Weight: 159.25 lbs (72.2 kg)

---

## Material

- Frameless, heavy 5/16" (8 mm) thick Crystal Clear tempered glass
  - Anodized aluminum prevents rust and corrosion
- 

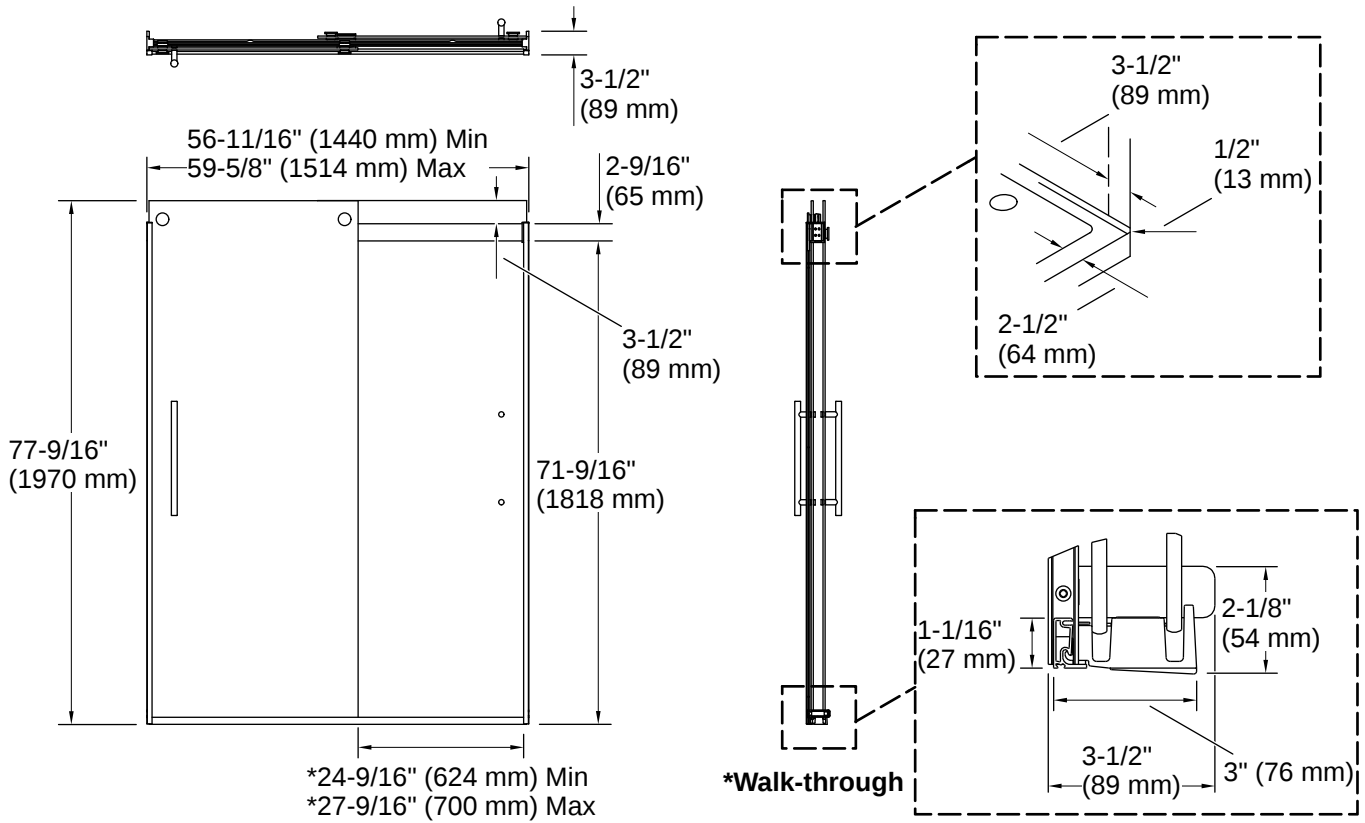
## Warranty

*See website for detailed warranty information.*

KOHLER® Bath and Shower Doors Ten-Year Limited Warranty



1-800-4KOHLER (1-800-456-4537)  
Kohler Co. reserves the right to make revisions without notice to product specifications.  
For the most current specification sheet, go to [www.kohler.com](http://www.kohler.com) USA or [www.kohler.ca](http://www.kohler.ca) Canada.  
4-15-2026 6:21 - US-CA



## Installation

- Fits opening widths 56-5/8" - 59-5/8" (1438 -1514 mm)
- 77-9/16" (1970 mm) high, with 71-9/16" (1818 mm) minimum head clearance
- 3" (76 mm) width adjustment
- Out-of-plumb adjustability simplifies installation
- For residential use only
- Not for use in hospitality

## Installation Notes

*Install this product according to the installation instructions.*

The vertical opening should be a minimum of 80-1/2" (2045 mm) to allow for installation clearance.

