

## Rely® | K-702254-10G80

77" H sliding shower door with 3/8"-thick glass

### Features

- Frameless design emphasizes glass and creates a sleek, minimalist look
- Vertical handle with inside knob on moving panel
- Tempered glass ensures enhanced safety and durability
- CleanCoat®+ glass coating creates a hydrophobic barrier that repels water, soap scum, and residue, saving time and protecting shower doors 10 times longer than original CleanCoat. (Based on 2021 internal wear/abrasion testing using a microfiber cloth.)
- Smooth, easy-to-clean wall jams
- Full-length moving panel seal provides excellent water containment
- Controlled Close® innovative soft-close with double-dampening technology brings door to a secure close
- Shower door configuration consists of one sliding panel and one stationary panel
- Coordinates with other products in the Rely collection



### Available Colors/Finishes

*Color tiles intended for reference only.*

■ BL Matte Black



1-800-4KOHLER (1-800-456-4537)

Kohler Co. reserves the right to make revisions without notice to product specifications.  
For the most current specification sheet, go to [www.kohler.com](http://www.kohler.com) USA or [www.kohler.ca](http://www.kohler.ca) Canada.  
4-15-2026 6:24 - US-CA

THE BOLD LOOK  
OF **KOHLER**®

---

## Codes/Standards

ANSI Z97.1 (Tempered Glass)  
CAN/CGSB-12.1  
CPSC 16CFR 1201

---

## Technical Information

*All product dimensions are nominal.*

Base-To-Wall Radius - Maximum:	1/2" (13 mm)
Shower Ledge Minimum Flat:	2-1/2" (64 mm)
Shower Wall Minimum Flat:	3-1/2" (89 mm)
Weight:	138.228 lbs (62.7 kg)

---

## Material

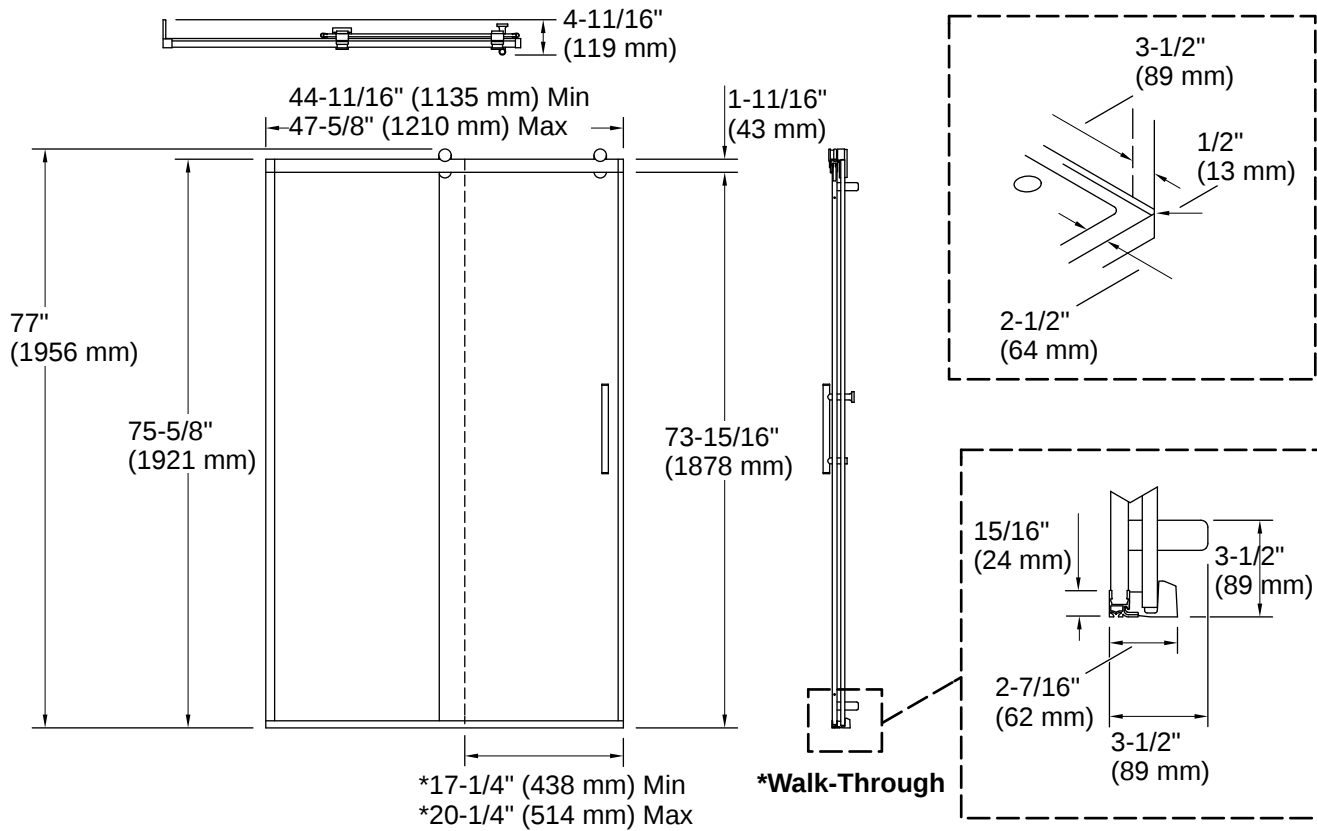
- Frameless, 3/8" (10 mm) thick Frosted tempered glass with easy-to-clean rectangular grille design imprinted on surface
  - Anodized aluminum prevents rust and corrosion
- 

## Warranty

*See website for detailed warranty information.*

KOHLER® Bath and Shower Doors Ten-Year Limited Warranty





## Installation

- Fits opening widths 44-5/8" – 47-5/8" (1133 – 1210 mm)
- 77" (1956 mm) high, with a lofty 73-7/8" (1876 mm) minimum head clearance
- 3" (76 mm) width adjustment
- Out-of-plumb adjustability simplifies installation
- Door can be installed to open to the left or right to suit your bathroom layout
- For residential use only
- Not for use in hospitality

## Installation Notes

*Install this product according to the installation instructions.*

The vertical opening should be a minimum of 78-1/2" (1994 mm) to allow for installation clearance.

